

# Z系列直流电动机

## Z SERIES DC MACHINES

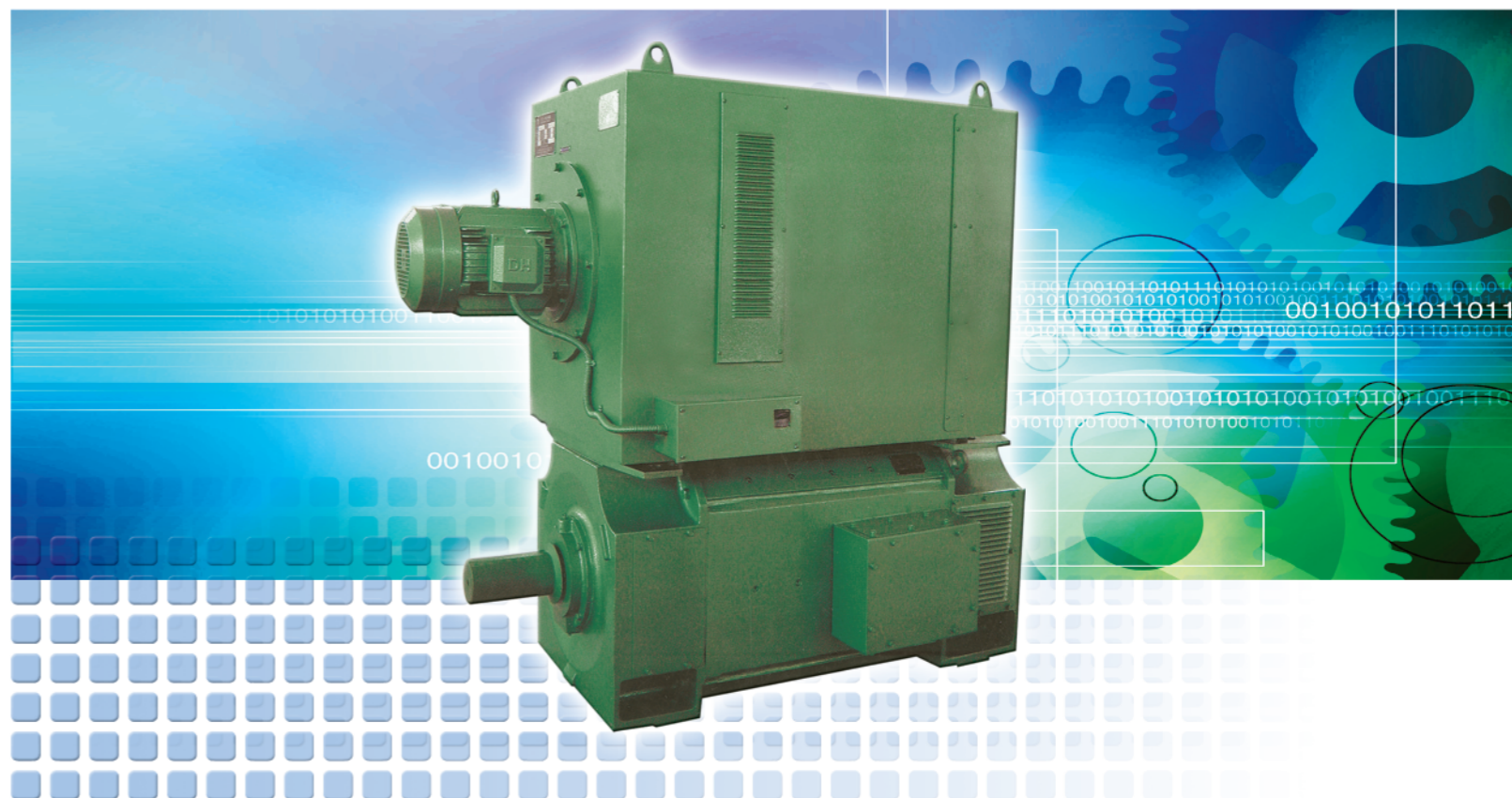


### 工控产品

- ◆ 英国欧陆、德国西门子直流调速器
- ◆ 三菱、西门子、富士、安川、三垦变频器
- ◆ 三菱、富士、西门子、eview人机界面
- ◆ 全数字大功率直流调速器 (270A-3000A)

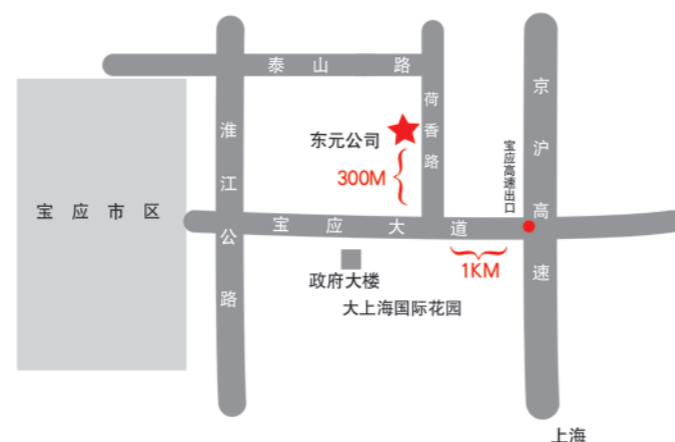
### 电控系统

承接冶金、塑料、化纤、纺织、橡胶、造纸、线缆、起重、印刷、包装、建材、机械等各行各业电控系统的设计、制造、安装和调试服务。



## 江苏东元电机电控有限公司

地址：江苏省宝应开发区荷香路  
 邮编：225800  
 电话：0514-8273098 8228698  
 传真：0514-8228698  
 热线：13901441642  
 E-mail: dydj@jsdydj.cn  
 http: //www. jsdydj. cn



长城企划：13056344798

## 江苏东元电机电控有限公司

Jiangsu Dongyuan Electrical Machine & Electrical Control Co., Ltd.



# 江苏东元电机电控有限公司

## 【公司简介】

江苏东元电机电控有限公司是集科、工、贸一体化的技术型企业。专业从事直流电机、变频电机、特种电机的制造与开发及工业自动化、计算机监控领域、软硬件产品的开发、研制和销售。在电气自动化领域享有较高的知名度与良好的信誉。

公司融计算机技术、现代自动化控制技术为一体。采用先进的PLC编程器、触摸屏、工控机等控制方式，设计、开发自动化成套工程项目，为冶金、线缆、橡塑、造纸、化工、纺织等行业提供自动化控制设备、直流电机、变频电机及令客户满意的售后服务。

公司通过和国际知名工控厂商合作，代理经销其工控产品，主要有：英国欧陆交、直流数字传动装置，LG、西门子、安川、松下、三菱等品牌的各类工控产品。

公司坚持“诚信为本，质量上乘”的宗旨，竭诚为工控界新老客户服务。

## BRIEF INTRODUCTION

Jiangsu Dongyuan Electrical Machine & Electrical Control Co., Ltd. is a technology-oriented enterprises engaged in technical development, manufacturing and distribution. It is specialized in the manufacture and development of DC motor, frequency variation motor, specialty motor as well as the development, manufacture and sales of industrial automation, computer monitoring and the hardware and software products. It enjoys high reputation in the field of electrical automation.

Our company is an integration of computer technology and modern automation control technology. It adopts the advanced PLC programming, touch screen, industrial control computer and other control modes in the development of automatic projects in complete sets. It provides automatic control equipment, DC motors, frequency variation motors and excellent after-sales services for metallurgy, cables, plastics & rubber, papermaking, chemistry, textiles and other industries.

Through cooperating with world-known manufacturers of industrial control equipment, ours distributes as agency their industrial control products, mainly including EUROTHERM AC and DC digital driving devices, LG, Siemens, YASKAWA, Mitsubishi and other industrial control products.

In the principle of "trust and high quality", we will always offer our best possible services to all the new and old customers in the field of industrial control.



## 企业精神

诚信 开拓 进取 卓越

## 质量方针

优选料 精加工 诚服务 质取胜

## 主要产品

- 电机** ● Z2系列直流电机、Z4系列直流电机、Z系列直流电机、800系列直流电机、直流防爆电机、BPY系列变频电机、ZYS系列测速发电机。
- 电控** ● 单轧、可逆轧、连轧、拉矫机、镀锌线、酸洗线、400方管线、纵剪机、平整机、成缆机、铝铜连铸连轧、热磨机、缠丝机、钢管拉伸机、塑料挤出机、造纸机、拉丝机、离心机等自动化生产线的设计。
- 电抗器** ● 直流调速器配套用电抗器、变频器配套用电抗器、进线电抗器、出线电抗器、平波电抗器。



### 概述

本公司开发的 Z 系列中型直流电动机是采用最新技术设计制造的新产品, 该系列电机的机座有八个中心高, 从 315-710 毫米。由于 Z710 型电机的结构及性能有其独特性, 故将其在本样本中单独列出。

本系列电动机的性能、外形安装尺寸及技术要求均符合国家标准 (GB) 和国际电工委员会标准 (IEC), 电机各部门机械尺寸, 公差符合国际标准化委员会标准 (ISO)。

### General description

The Z series medium size DC motors are new products of the works developed with latest technology of design and manufacturing. There are eight shaft heights for motor frames ranging from 315-710mm.

The performance, outline dimensions and technical specifications of the motors conform to the standard of our country(GB)and International Electric Committee(IEC), while the mechanic dimensions tolerance of the motors conform to the standard of International Standard Organization(ISO).

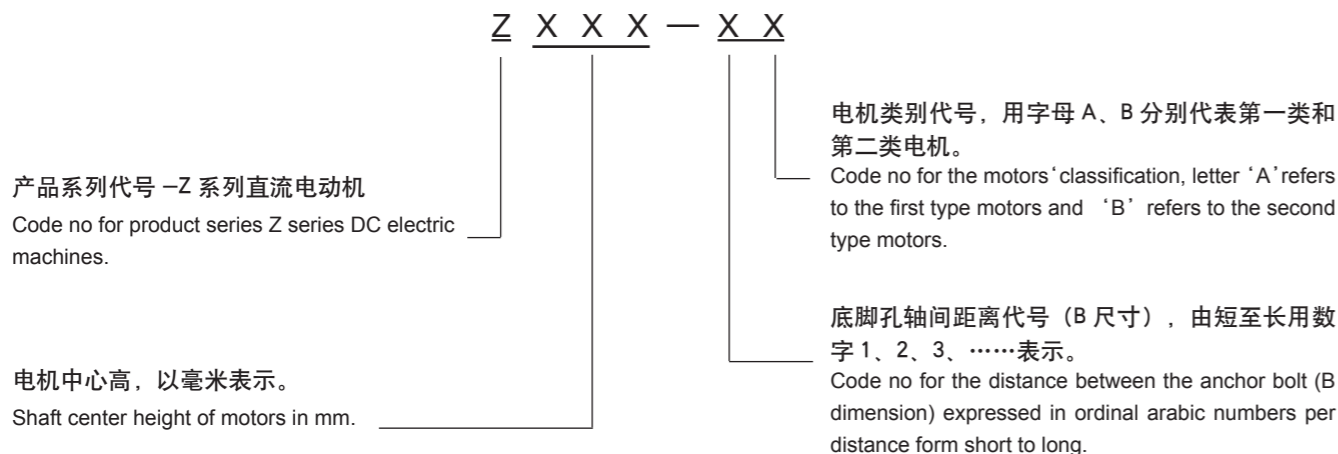
### 使用条件

- 1、本系列电动机可安装在环境条件比较恶劣的场合, 但必须选择正确的冷却方法和防护等级, 以保持电机内部的清洁。
- 2、本系列电动机的冷却空气中不应含有酸、碱等对电机的绝缘和换向性能有损害的气体。
- 3、本系列电动机如使用于船舶和湿热地区以及工作环境中有盐雾、潮湿等, 应另行协议。
- 4、本系列电动机的额定功率是指在海拔不超过 1000 米, 环境空气温度不超过 40°C 的条件下。
- 5、本系列电动机的供电电源采用静止整流电源, 也可采用直流发电机电源。
- 6、当电动机采用静止整流电源供电时, 整流器的脉波数应不小于 6, 在额定基速、额定电压和额定负载电流下, 电源的峰值纹波因数不超过 10%。

### Working conditions

1. It is allowed to install this series motors in the environment with worse working conditions. However proper cooling and protection type should be chosen to keep the cleanness of the motors.
2. The cooling air should not contain acid or alkali material, which is harmful to the insulation and commutating performance of the motors.
3. In case the motors will be applied to marines, tropical and humid areas, or the areas with salt and humid air, please notify before signing contracts.
4. The motors can reach its rated power under the working condition of less than 1000M sea level height and 40°C ambient temperature.
5. The power source for the motors can be provided by static rectified source or DC generator.

### 型号说明 (Z315-Z630) Type description(Z315-630)

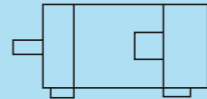
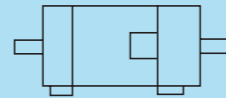


本系列电动机的机座采用薄钢板多角形叠片结构, 具有体积小, 重量轻等优点。适用可控硅整流电源, 在负载电流的迅速变化下, 电动机有良好的换向性能。整个定子和转子采用无溶剂漆真空压力浸渍处理 (VPI), 使绕组具有良好的抗潮能力和机械强度, 并且绝缘和导热, 性能优良。电枢铁心由硅钢片叠装而成, 具有良好的导磁性能。本系列电动机全部采用滚动轴承, 不停机加油结构。本系列电动机的绝缘等级为 F 级。

本系列电动机的安装型式符合 GB997 和 IEC34-7 《电机结构及安装型式代号》。

As the frame is of angular thin steel laminations structure, the motor is small in volume, light in weight and can be powered by silicon controlled rectified source. Meanwhile it has good commutating performance in case sudden change of load current occurs. Insulation treatment of VPI applied on the integral stator and rotor makes the windings good in antihumidity performance, mechanical strength and insulation thermal conductivity. The armature core made up with silicon steel laminations has good magnetic conductivity. Rolling bearings with operating oiling construction are adopted. The motor insulation is class F.

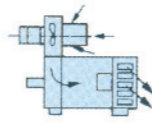
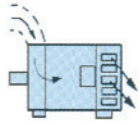
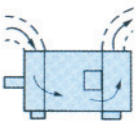
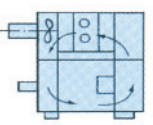
The mounting of the motors conform to Symbols for Types of Construction and Mounting Arrangements of Rotating Electrical Machinery specified in GB 997 and IEC 34-7.

标准 IM 1001 Standard IM 1001		端盖式轴承, 底脚安装, 圆柱形单轴伸 bracket bearing, foot mounting with one cylindrical shaft extension.
标准 IM 1002 Standard IM 1002		端盖式轴承, 底脚安装, 圆柱形双轴伸 bracket bearing, foot mounting with two cylindrical shaft extension.

本系列电动机的防护等级根据 GB4942-1 和 IEC34-5 《电机外壳防护分级》标准, 外壳防护等级有 IP23 和 IP44 两种。电动机冷却方法根据 GB1993 和 IEC34-6 《电机冷却方法》标准有 IC06、IC17、IC37 和 ICW37A86 四种。用户如需其他防护等级和冷却方法可另行协商。本系列电动机标准型式的冷却空气入口在电机的传动端 (非换向器端)。

IP 23 and IP 44 is adopted for the motors protection of this series, which conform to the standard of Classification of Degrees of Protection Provided by Enclosures for Rotating Machines specified in GB4942 - 1 and IEC34 - 5. IC06, IC17, IC37 and ICW 37A 86 is adopted for the cooling of this series motors, which conform to the standard of Methods of Cooling Rotating Machinery specified in GB1993 and IEC34 - 6. Other types of protection and cooling required by customers can be negotiated. The standard cooling air outlet locates on the side of driving end, (non commutator end).

本系列电动机的防护等级和冷却方法见下表:  
Following list shows the protection and cooling types of this series motors:

冷却方法 Cooling type	IC06 带鼓风机 Cooling type	IC17 半管道通风 duct ventilation at one end	IC37 管道通风 duct ventilation at both end	ICW37A86 带背包式冷却器 (水-空冷却) with top mounted cooler(water to air)
图式 Diagram				
防护等级 Protection grade	IP23 防滴型 能防止直径大于 12 毫米的固体异物和与垂线成 60° 角以内的滴水进入电机 drip proof Preventing any solid foreign matter with more than 12mm dia. and drip within an angle of 60 degrees with right angle from dropping into the motors		IP44 防溅型 能防止直径大于 1 毫米的固体异物和任何方向溅水于电机应无有害影响 splash proof Preventing any solid foreign matter with more than 1mm dia. and drip of any directions from dropping into the motors	

产品性能

- 1、本系列电动机的定额为连续工作方式 (S1)。
- 2、本系列电动机的标准额定电压有 220V、330V、440V、550V、660V、750V 六种, 也可派生出其他等级的电压, 需在订货时商定。
- 3、本系列电动机的基本励磁方式为他励, 励磁绕组有四个引线端子, 分为两组, 两组串联时励磁电压为 220V, 并联时励磁电压为 110V, 其他励磁电压等级可在订货时商定。  
本系列电动机允许强行励磁, 强励电压不得超过 500V。强励时, 励磁电流可瞬时略超过额定励磁电流, 但励磁电流稳定后, 不得超过。
- 4、本系列电动机的短时过载能力: 第一类直流电动机 (A 类) 能承受下表所规定的短时 (一分钟) 过载:

Products performance

1. Continuous working system (S1) is applied.
2. The standard rated voltage of this series motors are 220V, 330V, 440V, 550V, 660V and 750V. The voltage beyond above scope can be negotiated when placing orders.
3. Separate excitation is the basic excitation type of this series motors. Four terminals of the excitation winding are divided into two groups. In case the two groups are in series or parallel connection, the excitation voltage is 220V or 110V respectively. Excitation voltage beyond the scope can be negotiated.  
Forced excitation is allowed with the voltage of less than 500V. During forced excitation, the transient excitation current can exceed the rated excitation, current slightly until the excitation current gets stabilized.
4. Short time overload capability:  
The DC motors (class A) can sustain the short time (1min) overload specified in the following list:

基速的百分数 Percent of the basic speed	额定电流的百分数 Percent of the rated current	
	偶尔使用 occasionally used	经常使用 often used
100	200(180°)	175(160°)
200	160	150
300 以上	140	120

第二类直流电动机 (B 类) 能承受下表所规定的短时 (一分钟) 过载:  
The DC motors (class B) can sustain the short time (1 min) overload specified in the following list:

基速的百分数 Percent of the basic speed	额定电流的百分数 Percent of the rated current	
	偶尔使用 occasionally used	经常使用 often used
100	200(180°)	175(160°)
200	200(180°)	160
300 以上	175(160°)	140

\* 当电动机的基速等于或大于下表规定的转速时, 用括号内数值:  
\* The data in brackets are applied in case the basic speed of the motors is equal to or greater than the speed specified in the following

中心高 (毫米) shaft height(mm)	315	355	400	450	500	560
基速 (转 / 分) basic speed(r/min)	1000	1000	900	800	710	630

偶尔使用的短时过载能力是指很少发生或在紧急情况下, 电动机在一分钟内承受超过连续额定负载的能力, 建议将断路的瞬时开断装置按偶尔使用的短时过载能力整定。

经常使用的短时过载能力是指作为正常工作周期的一部分, 电动机反复承受超过额定负载的能力。短时过载运行之后, 必须轻载运行, 使电动机整个负载周期的负载均方根值不超过其连续定额。

本系列第二类直流电动机 (B 类) 应能承受下列连续负载:

(1) 在额定电枢电压和额定转速范围内带 115% 额定功率负载连续运行, 在此负载下, 温升将较高, 其他特性可能与额定条件下运行的规定不同。

(2) 在额定电枢电压下和额定转速范围内, 在额定负载连续运行之后, 紧接着以 125% 额定功率负载运行二小时, 温升不超过规定数值, 其他性能可能与额定条件下运行的规定值不同。

电动机在较低的过载倍数下允许较长的过载时间。对第二类直流电动机 (B 类), 偶尔使用时过载倍数允许达到 2.5 倍 (在额定基速时), 时间不超过 15 秒, (但需与制造厂协商)。

5、转速调整率

本系列电动机的转速调整率不作规定, 用户如有特殊要求, 应在订货时商定。

6、电流变化率

在所有转速及负载下, 本系列电动机的电流变化率 ( $\frac{di}{dt}$ ) 允许达 200 倍额定电流 / 每秒。

7、噪声振动

本系列电动机的噪声符合 GB2806 《电机噪声测定方法》和 IEC34—9 《电机噪声限值标准》的规定。

本系列电动机的振动符合 GB2807 《电机振动测定方法》和 IEC34—14 《电机振动测试方法及限值》标准的规定。

容量选择:

第一类: 直流电动机 (A 类)

这类电动机的详细数据见技术数据表, 用户可以根据所需的容量、转速和电压等选定电机的型号和规格。

The occasionally used short time overload capability refers to the motors' capability of sustaining continuous overload within 1 minute in emergent or unusual cases. The transient switching device of breaker is suggested to be rectified according to such capability.

The often used short time overload capability as a part of normal operating period refers to the motors' capability of sustaining overload repeatedly.

After short time overload operation, light load operation is necessary to restrict the load root-mean-square of the whole load period within its continuous rating.

The DC motors (Class B) can sustain following continuous load:

(1) Under the rated armature voltage and rated speed the motor can be continuously operated with 115% overload. In this case, temperature rise will be relatively higher, and the other performance may be different from those under specified ratings.

(2) Soon after continuous operation under rated armature voltage and rated speed, the motor can be operated with 125% overload for two hours. In this case, temperature rise will not exceed the specified value, while the other performance may be different from those under specified ratings.

Under lower overload, longer time overload is allowed. For the motors (Class B), the occasionally used over load times is 2.5 times (under the rated speed) within 15 sec. (please consult with the manufacturer in detail).

5. Speed adjustment

No speed adjustment is specified for this series motors. Any special requirement in this field by customers can be discussed.

6. Current variation:

The allowable current variation ( $\frac{di}{dt}$ ) of this series motors under all speeds and loads is 200 times of the rated current per second.

7. noise and vibration:

The noise level of this series motors conform to the specifications stipulated in Noise measuring Method for Electric Machines of GB 2806 and Standard of Noise level for Electric Machines of IEC34-9.

Vibration of this series motors conform to the specifications stipulated in vibration Measuring Method for Electric Machines of GB2807 and vibration Measuring Method and Limit for Electric Machines' of IEC34-14.

Capacity choosing:

Class A: DC motors

Please refer to the technical data list, Customers can choose motor type and specifications according to the required capacity, rotating speed, voltage and etc.

Class B: DC motors

Except the rated output of the motors, which is lower than of class A motors with same shaft height and foot axial length, the other technical data are basically.



第二类: 直流电动机 (B 类)

这类电动机的额定输出功率比相同中心高、相同底脚轴向长度的 A 类电动机要略为下降, 其他数据基本相同。若已知 B 类电动机规格, 亦可用 A 类规格表初步选型 B 类电动机, 初选时 B 类电动机的额定功率应放大 25% 左右, 然后按放大后的功率在 A 类规格表中选取相关的型号规格, 但对应的型号中 A 需改为 B, 对应的功率仍为未放大时的功率 (即 B 类电机的原功率)。最终型号规格可由用户与制造商商定。

举例说明如下:

使用场合需 96KW 220V 185r/min B 类电机 ≥ 放大功率 25%, 对应: 120KW 220V 185r/min A 类电机 ≥ 查 A 类规格表得相近型号: Z450-2A 118KW 220V 179r/min ≥ 将型号改成: Z450-2B, 此型号近似代表 96 KW 220V 185r/min B 类电机可以初步满足使用场合要求。

功率和转速的换算 (对 A 类):

本系列电动机除技术数据表中所列的五种电压和相应的功率转速外, 任何一个规格的电机都可以派生成其他等级的电压 (但不得超过该规格允许的最高电压) 和相应的功率及转速。

The same as those of class A motors. Should the specification of class B motor be given, one can use the specification list for class A motors to choose the preliminary type of class B. First of all, the rated power of class B motor shall be enlarged by 25%, according to which a corresponding type and specification can be selected out from the specification list for class A. The "A" in the symbol of the selected type, however, shall be replaced with "B" and the capacity shall be replaced with the non-enlarged power (that means with the original capacity of the class B). Final specifications and data can be discussed between customers and manufacturer.

For example:

Motor required by customer:

class B motor of 96kW 220V 185r/min

Power enlarged by 25 %:

120kW 220V 185r/min

Corresponding type in the specification list for class A:

Z450-2A (118kW 220V 179r/min)

Type transformed from class A to class B:

Z450-2B ( approximate 96kW 220V 185r/min )

The motor of this type can basically meet the customer's requirements.

Output-speed conversion (for motors of class A): Besides the five voltages and corresponding outputs and speeds specified in the technical data list, other voltage grades and their corresponding outputs and speeds can be derived from motors of any specifications. (However, it is not allowed to exceed the allowable maximum voltage of such specification)

换算关系如下:

Conversion formula is as follows:

$$K = \frac{U1 - \Delta U}{UN - \Delta U}$$

$$n1 \approx K \cdot nN \quad \text{转 / 分 (r/min)}$$

$$P1 \approx K \cdot PN \quad \text{千瓦 (kw)}$$

$\Delta U$ : 电枢回路压降 ( $\Delta U$ : voltage drop of armature circuit) 伏 (V)

U1: 新的电枢电压 (U1: new armature voltage) 伏 (V)

N1: 新的额定转速 (N1: new rated speed) 转 / 分 (r/min)

P1: 新的额定输出功率 (P1: new rated output) 千瓦 (kw)

UN、nN、PN: 在技术数据表中所列的和新的电压等级最接近, 且高于新的供电电压的那个额定电压及相应的额定基速和额定功率。

UN、nN、PN: The rated voltage and corresponding rated speed and output which is closest to the new voltage specified in the technical data list and higher than the new line voltage.

技术参数

Z315-1A 适用于冷却方式 Applied to the cooling types of IC06, IC17, IC37, ICW 37A86

编号 series no.	额定电压 UN 下的转速 Rotating speed under the voltage below rated voltage UN					功率 Output PN kW	额定 电流 Rated current Ia A	效率 Efficiency $\eta$ %	最大 转速 Max. speed n <sub>max</sub> r/min	励磁 功率 Excitation power Pf kW	转动 惯量 of inertial J kg·m <sup>2</sup>	通风 Ventilation		电枢回路 Armature circuit	
	220V	330V	440V	550V	660V							风量 volume Q m <sup>3</sup> /s	风压 pressure H Pa	电压降 voltage drop $\Delta U$ V	电感 inductance La mH
01	436	696	958	1219	1481	61	335	80.0	1300	3.1	4.8	1.0	1000	34.2	0.72
						96	330	86.0	1800	3.1	4.8	1.0	1000	33.8	0.68
						129	324	89.0	1800	3.1	4.8	1.0	1000	33.2	0.68
						161	318	90.6	1800	3.1	4.8	1.0	1000	32.7	0.68
						190	310	91.6	1800	3.1	4.8	1.0	1000	31.9	0.69
02	573	901	1229	1556		80	421	84.1	1700	3.1	5.0	0.9	840	25.6	0.44
						123	412	88.5	1800	3.1	5.0	1.0	1010	25.1	0.43
						162	400	90.6	1800	3.1	5.0	1.0	1010	24.4	0.43
						194	380	91.6	1800	3.1	5.0	1.0	1010	23.3	0.45
03	760	1185	1610			101	518	86.6	1800	3.1	5.0	1.0	1010	20.5	0.27
						154	510	90.1	1800	3.1	5.0	1.0	1010	20.2	0.26
						205	501	91.6	1800	3.1	5.0	1.0	1010	19.9	0.26
04	957	1481				123	622	88.2	1800	3.1	5.3	1.0	1010	16.7	0.18
						185	608	90.9	1800	3.1	5.3	1.1	1190	16.4	0.17
05	1204					160	800	89.9	1800	3.1	5.3	1.0	1010	13.7	0.11
06															

技术参数

Z315-2A 适用于冷却方式 Applied to the cooling types of IC06,IC17,IC37,ICW 37A86

编号 series no.	额定电压 UN 下的转速 Rotating speed under the voltage below rated voltage UN					功率 Output PN kW	额定 电流 Rated current Ia A	效率 Efficiency $\eta$ %	最大 转速 Max. speed $n_{max}$ r/min	励磁 功率 Excitation power Pf kW	转动 惯量 of inertial J kg·m <sup>2</sup>	通风 Ventilation		电枢回路 Armature circuit	
	220V	330V	440V	550V	660V							风量 volume Q m <sup>3</sup> /s	风压 pressure H Pa	电压降 voltage drop $\Delta U$ V	电感 inductance La mH
01	344	553	762	972	1182	60	334	78.6	1200	3.1	5.3	1.0	1010	37.5	0.91
						95	329	85.1	1500	3.1	5.3	1.0	1010	36.8	0.86
						129	325	88.3	1800	3.1	5.3	1.0	1010	36.5	0.85
						160	317	90.2	1800	3.1	5.3	1.0	1010	35.6	1.85
						190	311	91.4	1800	3.1	5.3	1.0	1010	35.0	0.86
02	453	714	977	1240		78	414	83.1	1500	3.1	5.5	1.0	1010	27.5	0.56
						120	404	87.9	1800	3.1	5.5	1.0	1010	26.9	0.55
						160	395	90.3	1800	3.1	5.5	1.0	1010	26.4	0.54
						195	381	91.5	1800	3.1	5.5	1.0	1010	25.6	0.56
03	605	945	1287	1629		99	511	85.9	1800	3.1	5.5	1.0	1010	22.1	0.34
						152	504	89.8	1800	3.1	5.5	1.0	1010	21.9	0.33
						200	490	91.5	1800	3.1	5.5	1.0	1010	21.2	0.33
						240	467	92.2	1800	3.1	5.5	1.0	1010	20.3	0.35
04	762	1183	1606			122	619	87.7	1800	3.1	5.8	1.1	1190	18.1	0.22
						180	592	90.8	1800	3.1	5.8	1.1	1190	17.4	0.23
						225	549	92.0	1800	3.1	5.8	1.1	1190	16.3	0.24
05	959	1478				160	800	89.7	1800	3.1	5.8	1.0	1010	14.5	0.14
						235	767	91.6	1800	3.1	5.8	1.0	1010	14.1	0.14
06															

技术参数

Z315-3A 适用于冷却方式 Applied to the cooling types of IC06,IC17,IC37,ICW 37A86

编号 series no.	额定电压 UN 下的转速 Rotating speed under the voltage below rated voltage UN					功率 Output PN kW	额定 电流 Rated current Ia A	效率 Efficiency $\eta$ %	最大 转速 Max. speed $n_{max}$ r/min	励磁 功率 Excitation power Pf kW	转动 惯量 of inertial J kg·m <sup>2</sup>	通风 Ventilation		电枢回路 Armature circuit	
	220V	330V	440V	550V	660V							风量 volume Q m <sup>3</sup> /s	风压 pressure H Pa	电压降 voltage drop $\Delta U$ V	电感 inductance La mH
01	269	436	603	770	938	57	322	76.7	900	4.1	6.5	1.1	1190	40.1	1.2
						91	320	83.9	1500	4.0	6.5	1.1	1190	39.9	1.2
						126	320	87.4	1800	4.0	6.5	1.1	1190	39.9	1.2
						158	315	89.5	1800	4.0	6.5	1.1	1190	39.3	1.2
						189	310	90.9	1800	4.0	6.5	1.1	1190	38.6	1.2
02	357	567	776	987		76	408	81.6	1200	4.1	6.7	1.1	1190	30.0	0.72
						118	400	87.1	1700	4.0	6.7	1.1	1190	29.6	0.69
						159	395	89.7	1800	4.0	6.7	1.1	1190	29.2	0.68
						195	382	91.2	1800	4.0	6.7	1.1	1190	28.3	0.69
03	481	754	1028	1302	1578	97	505	84.8	1500	4.0	6.7	1.1	1190	24.1	0.43
						150	500	89.2	1800	4.0	6.7	1.1	1190	23.9	0.42
						200	490	91.2	1800	4.0	6.7	1.1	1190	23.4	0.42
						240	466	92.2	1800	4.0	6.7	1.1	1190	22.4	0.43
04	607	945	1284	1624		280	451	92.5	1800	4.0	6.7	1.1	1190	21.8	0.44
						119	607	87.0	1800	4.0	7.1	1.1	1190	19.4	0.29
						182	600	90.5	1800	4.0	7.1	1.1	1190	19.1	0.28
						238	580	92.0	1800	4.0	7.1	1.1	1190	18.6	0.28
05	761	1175	1592			283	550	92.3	1800	4.0	7.1	1.1	1190	17.7	0.29
						160	800	89.1	1800	4.0	7.1	1.1	1190	16.0	0.17
						240	780	91.5	1800	4.0	7.1	1.1	1190	15.6	0.17
06						305	743	91.8	1800	4.0	7.1	1.1	1190	15.0	0.18

技术参数

Z355-3A 适用于冷却方式 Applied to the cooling types of IC06,IC17,IC37,ICW 37A86

编号 series no.	额定电压 UN 下的转速 Rotating speed under the voltage be- low rated voltage UN					功率 Output PN kW	额定 电流 Rated current Ia A	效率 Effi- ciency $\eta$ %	最大 转速 Max. speed $n_{max}$ r/min	励磁 功率 Excita- tion power Pf kW	转动 惯量 Moment of inertial J kg·m <sup>2</sup>	通风 Ventilation		电枢回路 Armature cir- cuit			
	220V	330V	440V	550V	660V							风量 volume Q m <sup>3</sup> /s	风压 pres- sure H Pa	电压降 voltage drop $\Delta U$ V	电感 induc- tance La mH		
01	197	327	456	586	716	59	357	71.3	600	4.7	11.2	1.5	1430	52.2	1.5		
						96	350	80.2	1000	4.7	11.2	1.5	1430	51.2	1.4		
						133	347	84.6	1500	4.7	11.2	1.5	1430	50.9	1.3		
		168	342	87.3		1500	4.7	11.2	1.5	1430	50.1	1.3					
		202	337	89.1		1500	4.7	11.2	1.5	1430	49.4	1.3					
02	258	416	574	733	891	78	441	77.1	800	4.6	11.2	1.4	1260	40.3	0.92		
						124	435	84.0	1500	4.6	11.2	1.5	1430	39.7	0.87		
						167	424	87.5	1500	4.7	11.2	1.5	1430	38.8	0.86		
		209	417			89.6	1500	4.6	11.2	1.5	1430	38.2	0.86				
		248	407			90.9	1500	4.6	11.2	1.5	1430	37.3	0.87				
03	365	579	794	1008	1223	105	566	81.6	1200	4.6	11.5	1.5	1430	31.3	0.51		
						163	555	87.0	1500	4.6	11.5	1.5	1430	30.7	0.49		
						217	540	89.7	1500	4.6	11.5	1.5	1430	29.9	0.49		
		267	524			91.3	1500	4.6	11.5	1.6	1610	29.1	0.50				
		312	506			92.2	1500	4.6	11.5	1.6	1610	28.2	0.51				
04	439	690	940	1191	1442	127	666	84.2	1500	4.7	12.2	1.5	1430	25.7	0.36		
						194	650	88.7	1500	4.7	12.2	1.5	1430	25.1	0.35		
						255	628	90.9	1500	4.7	12.2	1.6	1610	24.4	0.36		
		309	603			92.1	1500	4.7	12.2	1.6	1610	23.4	0.37				
		355	573			92.8	1500	4.7	12.2	1.7	1800	22.4	0.38				
05	578	898	1219	1540	166	848	87.0	1500	4.7	12.2	1.5	1430	19.9	0.21			
					246	811	90.5	1500	4.7	12.2	1.6	1610	19.2	0.22			
					315	768	92.0	1500	4.7	12.2	1.7	1800	18.3	0.22			
		371	719		92.8	1540	4.7	12.2	1.8	2000	17.2	0.24					
06																	

技术参数

Z355-4A 适用于冷却方式 Applied to the cooling types of IC06,IC17,IC37,ICW 37A86

编号 series no.	额定电压 UN 下的转速 Rotating speed under the voltage be- low rated voltage UN					功率 Output PN kW	额定 电流 Rated current Ia A	效率 Effi- ciency $\eta$ %	最大 转速 Max. speed $n_{max}$ r/min	励磁 功率 Excita- tion power Pf kW	转动 惯量 Moment of inertial J kg·m <sup>2</sup>	通风 Ventilation		电枢回路 Armature cir- cuit			
	220V	330V	440V	550V	660V							风量 volume Q m <sup>3</sup> /s	风压 pres- sure H Pa	电压降 voltage drop $\Delta U$ V	电感 induc- tance La mH		
01	153	257	360	464	568	57	357	68.6	600	5.2	13.1	1.6	1610	57.9	1.9		
						94	349	78.3	800	5.3	13.1	1.6	1610	56.8	1.8		
						131	347	83.2	1200	5.3	13.1	1.6	1610	56.4	1.7		
		166	341			86.2	1500	5.3	13.1	1.6	1610	55.5	1.7				
		200	336			88.2	1500	5.3	13.1	1.6	1610	54.7	1.7				
02	199	325	450	576	702	76	440	74.6	800	5.4	13.1	1.6	1610	44.6	1.2		
						121	429	82.5	1200	5.4	13.1	1.6	1610	43.5	1.13		
						165	423	86.3	1500	5.5	13.1	1.6	1610	42.9	1.1		
		207	415			88.7	1500	5.4	13.1	1.6	1610	42.2	1.1				
		247	407			90.2	1500	5.4	13.1	1.6	1610	41.4	1.1				
03	286	456	627	797	968	103	564	79.8	1000	5.3	13.4	1.6	1610	34.6	0.65		
						161	553	85.9	1500	5.4	13.4	1.6	1610	33.9	0.63		
						215	538	88.9	1500	5.3	13.4	1.6	1610	33.1	0.62		
		266	524			90.7	1500	5.3	13.4	1.7	1800	32.3	0.63				
		313	509			91.8	1500	5.4	13.4	1.7	1800	31.4	0.64				
04	346	546	746	946	1147	125	664	82.8	1200	5.3	14.1	1.6	1610	28.3	0.46		
						192	647	87.8	1500	5.3	14.1	1.6	1610	27.7	0.45		
						254	628	90.3	1500	5.3	14.1	1.7	1800	26.9	0.45		
		310	605			91.7	1500	5.3	14.1	1.7	1800	26.0	0.46				
		358	578			92.6	1500	5.3	14.1	1.8	2000	24.9	0.48				
05	455	710	965	1220	1475	164	844	86.0	1500	5.4	14.1	1.6	1610	21.9	0.27		
						245	811	89.9	1500	5.4	14.1	1.7	1800	21.1	0.27		
						316	771	91.7	1500	5.4	14.1	1.7	1800	20.2	0.28		
		375	726			92.7	1550	5.4	14.1	1.8	2000	19.1	0.30				
						424	681	93.3	1500	5.4	14.1	1.9	2220	18.1	0.31		
06																	



技术参数

Z400-2A 适用于冷却方式 Applied to the cooling types of IC06,IC17,IC37,ICW 37A86

编号 series no.	额定电压 UN 下的转速 Rotating speed under the voltage be- low rated voltage UN					功率 Output PN kW	额定 电流 Rated current Ia A	效率 Effi- ciency η %	最大 转速 Max. speed n <sub>max</sub> r/min	励磁 功率 Excita- tion power Pf kW	转动 惯量 of inertial J kg·m <sup>2</sup>	通风 Ventilation		电枢回路 Armature cir- cuit	
	220V	330V	440V	550V	660V							风量 volume Q m <sup>3</sup> /s	风压 pres- sure H Pa	电压降 voltage drop ΔU V	电感 induc- tance La mH
01	128	219	311	402	493	56	364	65.6	500	5.9	20.8	1.8	1310	63.9	2.3
						96	367	76.1	800	5.8	20.8	1.9	1450	64.4	2.0
						135	364	81.6	1000	5.7	20.8	1.9	1450	64.0	1.9
						173	361	84.9	1200	5.7	20.8	1.9	1450	63.5	1.8
						211	359	87.1	1500	5.7	20.8	1.9	1450	63.1	1.8
02	156	260	364	468	573	71	437	70.3	500	5.7	20.8	1.9	1450	55.2	1.5
						117	431	79.5	1000	5.7	20.8	1.9	1450	54.5	1.4
						162	426	84.1	1200	5.7	20.8	1.9	1450	53.9	1.4
						206	422	86.9	1500	5.7	20.8	1.9	1590	53.3	1.3
						250	419	88.8	1500	5.7	20.8	2.0	1590	53.0	1.3
03	210	341	472	604	735	93	536	75.5	800	5.9	21.3	1.9	1450	43.6	0.93
						150	532	82.9	1200	5.9	21.3	1.9	1450	43.4	0.87
						205	525	86.7	1500	5.9	21.3	1.9	1450	42.9	0.85
						258	518	88.9	1500	5.9	21.3	2.0	1590	42.3	0.84
						310	512	90.4	1500	5.9	21.3	2.0	1590	41.8	0.84
04	296	472	647	823	998	128	695	80.9	1000	5.8	21.3	1.9	1450	33.0	0.51
						201	688	86.6	1500	5.8	21.3	1.9	1450	32.7	0.49
						272	679	89.4	1500	5.8	21.3	2.0	1590	32.3	0.48
						339	667	91.1	1500	5.7	21.3	2.0	1590	31.8	0.48
						402	653	92.2	1500	5.8	21.3	2.1	1740	31.2	0.48
05	359	566	773	979	1186	158	836	83.6	1200	5.8	21.7	1.9	1450	27.7	0.35
						244	821	88.4	1500	5.7	21.7	2.0	1590	27.3	0.34
						325	803	90.7	1500	5.7	21.7	2.1	1740	26.7	0.34
						401	783	92.0	1500	5.8	21.7	2.1	1740	26.1	0.34
						472	762	92.9	1500	5.7	21.7	2.2	1900	25.4	0.35
06	466	727	987	1248	1510	199	1026	86.1	1500	6.0	21.7	2.0	1590	22.3	0.22
						301	997	90.0	1500	6.0	21.7	2.1	1740	21.7	0.22
						395	966	91.8	1500	6.0	21.7	2.2	1900	21.1	0.22
						479	929	92.8	1500	6.0	21.7	2.3	2060	20.4	0.23
						551	886	93.3	1510	6.0	21.7	2.4	2230	19.5	0.24

技术参数

Z400-3A 适用于冷却方式 Applied to the cooling types of IC06,IC17,IC37,ICW 37A86

编号 series no.	额定电压 UN 下的转速 Rotating speed under the voltage be- low rated voltage UN					功率 Output PN kW	额定 电流 Rated current Ia A	效率 Effi- ciency η %	最大 转速 Max. speed n <sub>max</sub> r/min	励磁 功率 Excita- tion power Pf kW	转动 惯量 of inertial J kg·m <sup>2</sup>	通风 Ventilation		电枢回路 Armature cir- cuit	
	220V	330V	440V	550V	660V							风量 volume Q m <sup>3</sup> /s	风压 pres- sure H Pa	电压降 voltage drop ΔU V	电感 induc- tance La mH
01	96	168	239	311	382	54	371	61.8	350	6.5	24.8	2.1	1740	72.6	3.0
						93	364	73.8	600	6.6	24.8	2.0	1590	71.3	2.6
						132	363	79.7	800	6.6	24.8	2.1	1740	71.0	2.4
						171	362	83.4	1000	6.6	24.8	2.1	1740	70.8	2.3
						209	360	85.9	1200	6.6	24.8	2.1	1740	70.4	2.3
02	118	199	281	362	444	68	433	67.2	500	6.5	24.8	2.0	1590	61.0	2.1
						114	428	77.3	600	6.7	24.8	2.1	1740	60.3	1.9
						159	424	82.6	1000	6.6	24.8	2.1	1740	59.7	1.8
						204	422	85.6	1200	6.7	24.8	2.1	1740	59.4	1.7
						247	417	87.8	1500	6.6	24.8	2.1	1740	58.8	1.7
03	162	266	370	474	579	91	539	73.2	600	6.5	25.2	2.1	1740	48.9	1.2
						147	529	81.5	1000	6.5	25.2	2.1	1740	48.0	1.1
						203	526	85.6	1200	6.5	25.2	2.1	1740	47.7	1.1
						256	518	88.1	1500	6.6	25.2	2.1	1740	47.0	1.1
						308	511	89.8	1500	6.5	25.2	2.2	1900	46.4	1.1
04	229	366	504	642	780	126	698	79.1	800	6.5	25.2	2.1	1740	36.8	0.66
						199	688	85.4	1200	6.6	25.2	2.1	1740	36.3	0.63
						270	679	88.6	1500	6.6	25.2	2.1	1740	35.9	0.61
						338	668	90.5	1500	6.6	25.2	2.2	1900	35.4	0.61
						403	657	91.7	1500	6.6	25.2	2.2	1900	34.8	0.62
05	278	439	602	764	926	155	831	82.1	1000	6.6	25.7	2.1	1740	30.6	0.46
						242	821	87.4	1500	6.6	25.7	2.2	1900	30.2	0.44
						324	804	90.1	1500	6.6	25.7	2.2	1900	29.6	0.43
						402	787	91.6	1500	6.6	25.7	2.3	2060	29.0	0.44
						474	766	92.6	1500	6.6	25.7	2.3	2060	28.3	0.44
06	366	573	780	987	1195	197	1025	85.1	1200	6.6	25.7	2.1	1740	24.6	0.28
						300	999	89.4	1500	6.6	25.7	2.2	1900	24.1	0.28
						396	970	91.5	1500	6.6	25.7	2.3	2060	23.4	0.28
						482	935	92.7	1500	6.6	25.7	2.4	2230	22.6	0.29
						558	896	93.4	1500	6.6	25.7	2.4	2230	21.8	0.29



技术参数

Z400-4A 适用于冷却方式 Applied to the cooling types of IC06, IC17, IC37, ICW 37A86

编号 series no.	额定电压 UN 下的转速 Rotating speed under the voltage below rated voltage UN					功率 Output PN kW	额定 电流 Rated current Ia A	效率 Effi- ciency $\eta$ %	最大 转速 Max. speed $n_{max}$ r/min	励磁 功率 Excita- tion power Pf kW	转动 惯量 Moment of inertial J kg·m <sup>2</sup>	通风 Ventilation		电枢回路 Armature cir- cuit	
	220V	330V	440V	550V	660V							风量 volume Q m <sup>3</sup> /s	风压 pres- sure H Pa	电压降 voltage drop $\Delta U$ V	电感 induc- tance La mH
01	72	129	186	243	300	50	360	57.8	300	8.0	29.7	2.3	2060	79.2	4.1
						90	365	70.7	500	7.7	29.7	2.3	2060	80.3	3.4
						128	359	77.6	600	7.7	29.7	2.3	2060	79.1	3.2
						167	359	81.6	800	7.7	29.7	2.3	2060	79.1	3.0
						204	356	84.4	1000	7.7	29.7	2.3	2060	78.3	3.0
02	90	155	220	285	350	64	424	63.9	300	7.7	29.7	2.2	1900	67.2	2.8
						110	424	75.0	500	7.6	29.7	2.3	2060	67.1	2.4
						155	421	80.8	800	7.7	29.7	2.3	2060	66.6	2.3
						199	417	84.3	1000	7.7	29.7	2.3	2060	66.0	2.2
						243	415	86.6	1200	7.7	29.7	2.3	2060	65.7	2.2
03	125	208	291	374	457	87	529	70.7	500	7.6	30.1	2.2	1900	53.2	1.6
						144	527	79.7	700	7.6	30.1	2.3	2060	53.0	1.4
						199	521	84.4	1000	7.6	30.1	2.3	2060	52.4	1.4
						252	514	87.2	1200	7.6	30.1	2.3	2060	51.7	1.4
						304	507	89.0	1500	7.6	30.1	2.3	2060	51.1	1.4
04	178	287	397	507	617	122	690	76.9	500	7.6	30.1	2.3	2060	40.9	0.86
						196	687	83.9	1000	7.7	30.1	2.3	2060	40.7	0.80
						266	675	87.5	1200	7.7	30.1	2.3	2060	40.0	0.78
						334	665	89.7	1500	7.7	30.1	2.4	2230	39.4	0.78
						400	655	91.1	1500	7.6	30.1	2.4	2230	38.9	0.78
05	217	346	475	604	734	152	830	80.3	800	7.7	30.6	2.3	2060	34.2	0.58
						238	815	86.2	1200	7.7	30.6	2.4	2230	33.6	0.56
						320	799	89.2	1500	7.7	30.6	2.4	2230	33.0	0.55
						398	783	91.0	1550	7.7	30.6	2.4	2230	32.3	0.56
						472	765	92.2	1500	7.7	30.6	2.5	2410	31.7	0.56
06	287	451	616	781	946	193	1017	83.7	1000	7.6	30.6	2.3	2060	27.3	0.36
						296	993	88.5	1500	7.7	30.6	2.4	2230	26.7	0.35
						393	967	90.9	1500	7.6	30.6	2.4	2230	26.1	0.35
						481	935	92.3	1500	7.6	30.6	2.5	2410	25.3	0.36
						560	900	93.2	1500	7.6	30.6	2.5	2410	24.4	0.37

技术参数

Z450-1A 适用于冷却方式 Applied to the cooling types of IC06, IC17, IC37, ICW 37A86

编号 series no.	额定电压 UN 下的转速 Rotating speed under the voltage below rated voltage UN					功率 Output PN kW	额定 电流 Rated current Ia A	效率 Effi- ciency $\eta$ %	最大 转速 Max. speed $n_{max}$ r/min	励磁 功率 Excita- tion power Pf kW	转动 惯量 Moment of inertial J kg·m <sup>2</sup>	通风 Ventilation		电枢回路 Armature cir- cuit	
	220V	330V	440V	550V	660V							风量 volume Q m <sup>3</sup> /s	风压 pres- sure H Pa	电压降 voltage drop $\Delta U$ V	电感 induc- tance La mH
01	185	302	420	538	656	96	562	74.4	600	5.6	35	2.0	1130	46.4	1.0
						155	555	82.3	1000	5.6	35	2.1	1230	45.9	0.97
						214	552	86.2	1200	5.6	35	2.1	1230	45.7	0.93
						270	545	88.5	1500	5.6	35	2.2	1340	45.1	0.92
						325	539	90.1	1500	5.6	35	2.2	1340	44.6	0.92
02	229	368	507	647	786	120	671	78.4	700	5.6	35	2.1	1230	38.4	0.71
						191	666	84.9	1000	5.6	35	2.1	1230	38.1	0.66
						260	658	88.1	1500	5.6	35	2.2	1340	37.7	0.65
						326	648	90.1	1500	5.6	35	2.2	1340	37.2	0.65
						390	639	91.3	1500	5.6	35	2.3	1450	36.6	0.65
03	291	460	629	799	968	152	817	82.1	1000	5.6	37.2	2.1	1230	30.6	0.46
						237	806	87.3	1500	5.6	37.2	2.1	1230	30.2	0.44
						318	792	89.9	1500	5.6	37.2	2.2	1340	29.7	0.44
						394	774	91.4	1500	5.6	37.2	2.3	1450	29.1	0.44
						466	756	92.4	1500	5.6	37.2	2.4	1570	28.4	0.44
04	419	654	888	1124	1360	213	1106	85.7	1500	5.6	37.2	2.2	1340	23.9	0.23
						325	1082	89.7	1500	5.6	37.2	2.3	1450	23.4	0.23
						429	1052	91.6	1500	5.6	37.2	2.4	1570	22.8	0.23
						526	1022	92.7	1500	5.6	37.2	2.5	1690	22.2	0.24
						614	988	93.4	1500	5.6	37.2	2.7	1950	21.5	0.24
05	505	783	1062	1342		258	1316	87.5	1500	5.6	39.5	2.3	1450	19.8	0.16
						388	1278	90.8	1500	5.6	39.5	2.4	1570	19.3	0.16
						506	1232	92.4	1500	5.6	39.5	2.6	1810	18.7	0.17
						610	1180	93.2	1500	5.6	39.5	2.7	1950	18.0	0.17
06	626	965	1304			315	1580	89.2	1500	5.6	39.5	2.4	1570	15.8	0.11
						463	1512	91.8	1500	5.6	39.5	2.5	1690	15.2	0.11
						589	1428	92.9	1500	5.6	39.5	2.8	2080	14.5	0.12

技术参数

Z450-2A 适用于冷却方式 Applied to the cooling types of IC06, IC17, IC37, ICW 37A86

编号 series no.	额定电压 UN 下的转速 Rotating speed under the voltage below rated voltage UN r/min					功率 Output PN kW	额定 电流 Rated current I <sub>a</sub> A	效率 Effi- ciency η %	最大 转速 Max. speed n <sub>max</sub> r/min	励磁 功率 Excita- tion power P <sub>f</sub> kW	转动 惯量 of inertial J kg·m <sup>2</sup>	通风 Ventilation		电枢回路 Armature cir- cuit	
	220V	330V	440V	550V	660V							风量 volume Q m <sup>3</sup> /s	风压 pres- sure H Pa	电压降 voltage drop ΔU V	电感 induc- tance L <sub>a</sub> mH
01	144	237	330	424	517	94	563	72.4	500	6.5	40.8	2.2	1340	50.5	1.3
						154	559	80.9	800	6.5	40.8	2.3	1450	50.2	1.2
	213	555	85.2	1000	6.5	40.8	2.3	1450	49.9	1.2					
	270	548	87.8	1500	6.5	40.8	2.3	1450	49.3	1.2					
	326	543	89.5	1500	6.5	40.8	2.4	1570	48.8	1.2					
02	179	289	399	509	621	118	674	76.5	600	6.5	40.8	2.3	1450	42.3	0.90
						189	666	83.7	1000	6.5	40.8	2.3	1450	41.9	0.85
	259	661	87.3	1200	6.5	40.8	2.4	1570	41.5	0.82					
	325	650	89.4	1500	6.5	40.8	2.4	1570	40.9	0.82					
	390	641	90.9	1500	6.5	40.8	2.4	1570	40.4	0.82					
03	227	361	495	629	764	150	818	80.7	800	6.5	43.1	2.2	1340	33.5	0.58
						236	809	86.4	1200	6.5	43.1	2.3	1450	33.2	0.56
	317	793	89.3	1500	6.5	43.1	2.4	1570	32.6	0.55					
	395	778	91.0	1500	6.5	43.1	2.4	1570	32.0	0.55					
	468	761	92.1	1500	6.5	43.1	2.5	1690	31.3	0.56					
04	328	515	702	888	1076	211	1105	84.7	1200	6.5	43.1	2.4	1570	25.8	0.30
						325	1087	89.1	1500	6.5	43.1	2.5	1690	25.4	0.29
	431	1059	91.3	1500	6.5	43.1	2.5	1690	24.8	0.29					
	530	1030	92.6	1500	6.5	43.1	2.6	1810	24.2	0.30					
	620	997	93.4	1500	6.5	43.1	2.7	1950	23.5	0.30					
05	397	618	840	1061		257	1320	86.7	1200	6.5	45.4	2.5	1690	21.7	0.21
						389	1285	90.4	1500	6.5	45.4	2.6	1810	21.2	0.20
	509	1241	92.2	1500	6.5	45.4	2.7	1950	20.5	0.21					
	617	1193	93.2	1550	6.5	45.4	2.8	2080	19.8	0.21					
06	493	761	1030			315	1587	88.7	1500	6.5	45.4	2.5	1690	17.3	0.14
						466	1523	91.6	1500	6.5	45.4	2.7	1950	16.7	0.14
						596	1443	93.0	1500	6.5	45.4	2.8	2080	15.9	0.15

技术参数

Z450-3A 适用于冷却方式 Applied to the cooling types of IC06, IC17, IC37, ICW 37A86

编号 series no.	额定电压 UN 下的转速 Rotating speed under the voltage below rated voltage UN r/min					功率 Output PN kW	额定 电流 Rated current I <sub>a</sub> A	效率 Effi- ciency η %	最大 转速 Max. speed n <sub>max</sub> r/min	励磁 功率 Excita- tion power P <sub>f</sub> kW	转动 惯量 of inertial J kg·m <sup>2</sup>	通风 Ventilation		电枢回路 Armature cir- cuit	
	220V	330V	440V	550V	660V							风量 volume Q m <sup>3</sup> /s	风压 pres- sure H Pa	电压降 voltage drop ΔU V	电感 induc- tance L <sub>a</sub> mH
01	112	187	262	337	412	91	563	69.7	350	6.7	48.2	2.4	1570	56.3	1.7
						151	558	79.1	600	6.7	48.2	2.5	1690	55.8	1.6
	210	554	83.9	800	6.7	48.2	2.5	1690	55.4	1.5					
	267	547	86.8	1000	6.7	48.2	2.5	1690	54.8	1.5					
	323	542	88.7	1200	6.7	48.2	2.5	1690	54.2	1.5					
02	140	229	318	406	496	115	674	74.2	500	6.7	48.2	2.5	1690	47.1	1.2
						186	666	82.2	800	6.7	48.2	2.5	1690	46.5	1.1
	256	660	86.2	1000	6.7	48.2	2.5	1690	46.1	1.0					
	323	650	88.6	1200	6.7	48.2	2.6	1810	45.5	1.0					
	388	641	90.3	1500	6.7	48.2	2.6	1810	44.9	1.0					
03	180	287	395	503	611	147	816	79.0	600	6.7	50.5	2.4	1570	37.2	0.74
						232	804	85.3	800	6.7	50.5	2.5	1690	36.7	0.71
	315	793	88.5	1200	6.7	50.5	2.5	1690	36.2	0.69					
	393	778	90.4	1500	6.7	50.5	2.6	1810	35.5	0.69					
	467	762	91.7	1500	6.7	50.5	2.6	1810	34.8	0.70					
04	261	411	561	712	863	208	1103	83.5	800	6.7	50.5	2.5	1690	28.6	0.38
						322	1084	88.4	1500	6.7	50.5	2.6	1810	28.1	0.36
	430	1061	90.8	1500	6.7	50.5	2.7	1950	27.6	0.36					
	531	1035	92.3	1500	6.7	50.5	2.8	2080	26.9	0.37					
	624	1005	93.2	1500	6.7	50.5	2.8	2080	26.2	0.38					
05	316	494	672	850		254	1318	85.7	1000	6.7	52.8	2.6	1810	24.0	0.26
						387	1286	89.8	1500	6.7	52.8	2.7	1950	23.5	0.26
	509	1244	91.9	1500	6.7	52.8	2.8	2080	22.8	0.26					
	620	1200	93.0	1500	6.7	52.8	2.9	2230	22.0	0.27					
06	393	609	827			312	1582	87.9	1200	6.7	52.8	2.6	1810	19.1	0.17
						465	1524	91.2	1500	6.7	52.8	2.8	2080	18.4	0.18
						599	1452	92.8	1500	6.7	52.8	2.9	2230	17.7	0.18



技术参数

Z450-4A 适用于冷却方式 Applied to the cooling types of IC06, IC17, IC37, ICW 37A86

编号 series no.	额定电压 UN 下的转速 Rotating speed under the voltage below rated voltage UN r/min					功率 Output PN kW	额定 电流 Rated current Ia A	效率 Effi- ciency η %	最大 转速 Max. speed n <sub>max</sub> r/min	励磁 功率 Excita- tion power Pf kW	转动 惯量 of inertial J kg·m <sup>2</sup>	通风 Ventilation		电枢回路 Armature cir- cuit	
	220V	330V	440V	550V	660V							风量 volume Q m <sup>3</sup> /s	风压 pres- sure H Pa	电压降 voltage drop ΔU V	电感 induc- tance La mH
01	86	146	205	265	325	86	554	66.6	300	7.5	57.8	2.7	1950	62.7	2.3
						146	553	76.9	500	7.5	57.8	2.7	1950	62.6	2.0
						204	547	82.2	700	7.5	57.8	2.7	1950	61.9	1.9
						262	544	85.4	800	7.5	57.8	2.8	2080	61.6	1.9
						318	539	87.6	1000	7.5	57.8	2.8	2080	61.0	1.9
02	108	180	250	321	392	111	669	71.6	350	7.5	57.8	2.7	1950	52.0	1.5
						181	658	80.6	600	7.5	57.8	2.7	1950	51.2	1.4
						251	654	85.0	800	7.5	57.8	2.7	1950	50.9	1.3
						318	646	87.7	1000	7.5	57.8	2.8	2080	50.3	1.3
						383	637	89.5	1200	7.5	57.8	2.8	2080	49.6	1.3
03	140	226	312	398	485	142	807	76.7	500	7.5	60.1	2.7	1950	41.6	0.96
						227	797	83.9	800	7.5	60.1	2.7	1950	41.1	0.90
						309	786	87.4	1000	7.5	60.1	2.7	1950	40.5	0.89
						388	773	89.6	1200	7.5	60.1	2.8	2080	39.9	0.88
						463	759	91.1	1500	7.5	60.1	2.8	2080	39.2	0.88
04	204	324	443	564	683	203	1095	81.8	600	7.5	60.1	2.8	2080	32.0	0.48
						317	1078	87.3	1000	7.5	60.1	2.9	2230	31.5	0.47
						425	1056	90.0	1500	7.5	60.1	2.9	2230	30.9	0.46
						527	1031	91.7	1500	7.5	60.1	2.9	2230	30.2	0.47
						622	1005	92.8	1500	7.5	60.1	3.0	2370	29.5	0.47
05	249	390	532	674		249	1309	84.3	800	7.5	62.4	2.9	2230	26.9	0.33
						382	1278	88.9	1200	7.5	62.4	2.9	2230	26.3	0.33
						505	1240	91.3	1500	7.5	62.4	3.0	2370	25.6	0.33
						619	1201	92.6	1550	7.5	62.4	3.0	2370	24.8	0.33
06	310	484	655			308	1573	87.1	1000	7.5	62.4	2.8	2080	20.9	0.22
						461	1516	90.8	1500	7.5	62.4	2.9	2230	20.2	0.22
						598	1452	92.5	1500	7.5	62.4	3.0	2370	19.4	0.23

技术参数

Z500-1A 适用于冷却方式 Applied to the cooling types of IC06, IC17, IC37, ICW 37A86

编号 series no.	额定电压 UN 下的转速 Rotating speed under the voltage below rated voltage UN r/min					功率 Output PN kW	额定 电流 Rated current Ia A	效率 Effi- ciency η %	最大 转速 Max. speed n <sub>max</sub> r/min	励磁 功率 Excita- tion power Pf kW	转动 惯量 of inertial J kg·m <sup>2</sup>	通风 Ventilation		电枢回路 Armature cir- cuit		
	220V	330V	440V	550V	660V							风量 volume Q m <sup>3</sup> /s	风压 pres- sure H Pa	电压降 voltage drop ΔU V	电感 induc- tance La mH	
01	205	327	449	572	693	163	891	80.4	600	5.8	68.4	2.4	1050	34.2	0.40	
						256	879	86.3	1000	5.8	68.4	2.5	1130	33.8	0.39	
						345	863	89.3	1200	5.8	68.4	2.6	1210	33.2	0.38	
						430	847	91.0	1200	5.8	68.4	2.6	1210	32.6	0.38	
						510	828	92.2	1200	5.8	68.4	2.7	1290	32.0	0.42	
02	246	388	530	671	814	199	1055	83.3	800	5.8	68.4	2.4	1050	28.3	0.29	
						308	1038	88.2	1200	5.8	68.4	2.5	1130	27.9	0.27	
						410	1013	90.7	1200	5.8	68.4	2.6	1210	27.2	0.27	
						505	985	92.1	1200	5.8	68.4	2.7	1290	26.6	0.28	
						593	956	93.0	1200	5.8	68.4	2.7	1290	25.8	0.29	
03	333	520	707	894	1082	261	1346	86.2	1000	5.8	70.1	2.6	1210	22.6	0.17	
						395	1308	90.1	1200	5.8	70.1	2.7	1290	22.0	0.16	
						517	1262	92.0	1200	5.8	70.1	2.8	1380	21.3	0.17	
						627	1213	93.1	1200	5.8	70.1	2.9	1470	20.6	0.17	
						721	1155	93.7	1200	5.8	70.1	3.0	1560	19.7	0.18	
04	447	692	936	1180		344	1731	88.8	1200	5.8	73.6	2.7	1290	17.2	0.10	
						508	1658	91.7	1200	5.8	73.6	2.8	1380	16.6	0.10	
						652	1576	93.1	1200	5.8	73.6	3.0	1560	15.9	0.10	
						769	1478	93.8	1200	5.8	73.6	3.1	1660	15.0	0.11	
05	526	810	1095			406	2024	89.8	1200	5.8	73.6	2.8	1380	14.9	0.07	
						590	1916	92.3	1200	5.8	73.6	3.0	1560	14.2	0.07	
						737	1778	93.4	1200	5.8	73.6	3.2	1760	13.3	0.07	
06																

技术参数

Z500-2A 适用于冷却方式 Applied to the cooling types of IC06, IC17, IC37, ICW 37A86

编号 series no.	额定电压 UN 下的转速 Rotating speed under the voltage below rated voltage UN					功率 Output PN kW	额定 电流 Rated current I <sub>a</sub> A	效率 Effi- ciency η %	最大 转速 Max. speed n <sub>max</sub> r/min	励磁 功率 Excita- tion power P <sub>f</sub> kW	转动 惯量 of inertial J kg·m <sup>2</sup>	通风 Ventilation		电枢回路 Armature cir- cuit				
	220V	330V	440V	550V	660V							风量 volume Q m <sup>3</sup> /s	风压 pres- sure H Pa	电压降 voltage drop ΔU V	电感 induc- tance L <sub>a</sub> mH			
01	160	257	353	450	546	158	880	78.6	500	6.5	81.1	2.6	1210	37.9	0.53			
						251	871	85.1	800	6.5	81.1	2.7	1290	37.5	0.50			
						340	857	88.4	1000	6.5	81.1	2.7	1290	36.9	0.49			
		425	842	90.3	1200	6.5	81.1	2.8	1380	36.3	0.49							
		506	825	91.6	1200	6.5	81.1	2.8	1380	35.6	0.50							
02	193	305	417	530	642	194	1044	81.8	600	6.5	81.1	2.6	1210	31.3	0.37			
						302	1026	87.3	1000	6.5	81.1	2.7	1290	30.8	0.35			
						405	1006	90.0	1200	6.5	81.1	2.8	1380	30.2	0.35			
		501	981	91.6	1200	6.5	81.1	2.8	1380	29.5	0.35							
		590	953	92.7	1200	6.5	81.1	2.9	1470	28.5	0.36							
03	261	410	558	706	854	256	1331	85.2	800	6.5	82.9	2.7	1290	24.4	0.21			
						390	1297	89.6	1000	6.5	82.9	2.8	1380	23.9	0.21			
						514	1257	91.7	1200	6.5	82.9	2.9	1470	23.2	0.21			
		626	1212	92.9	1200	6.5	82.9	2.9	1470	22.4	0.21							
		724	1160	93.7	1200	6.5	82.9	3.0	1560	21.6	0.22							
04	352	546	740	934		339	1717	88.0	1000	6.5	86.3	2.8	1380	19.0	0.12			
						505	1653	91.3	1200	6.5	86.3	2.9	1470	18.3	0.12			
		651	1575	92.9		1200	6.5	86.3	3.0	1560	17.6	0.13						
		774	1487	93.8		1200	6.5	86.3	3.1	1660	16.7	0.13						
05	414	641	866			402	2010	89.4	1200	6.5	86.3	2.9	1470	15.9	0.09			
						588	1911	92.2	1200	6.5	86.3	3.1	1660	15.3	0.09			
		742	1788			93.4	1200	6.5	86.3	3.2	1760	14.4	0.09					
06																		

技术参数

Z500-3A 适用于冷却方式 Applied to the cooling types of IC06, IC17, IC37, ICW 37A86

编号 series no.	额定电压 UN 下的转速 Rotating speed under the voltage below rated voltage UN					功率 Output PN kW	额定 电流 Rated current I <sub>a</sub> A	效率 Effi- ciency η %	最大 转速 Max. speed n <sub>max</sub> r/min	励磁 功率 Excita- tion power P <sub>f</sub> kW	转动 惯量 of inertial J kg·m <sup>2</sup>	通风 Ventilation		电枢回路 Armature cir- cuit				
	220V	330V	440V	550V	660V							风量 volume Q m <sup>3</sup> /s	风压 pres- sure H Pa	电压降 voltage drop ΔU V	电感 induc- tance L <sub>a</sub> mH			
01	126	204	282	361	438	152	865	76.5	400	7.7	95.8	2.9	1470	41.9	0.67			
						244	858	83.6	600	7.7	95.8	3.0	1560	41.5	0.63			
						332	844	87.3	1000	7.7	95.8	3.0	1560	40.9	0.62			
		416	829	89.6	1200	7.7	95.8	3.0	1560	40.2	0.62							
		497	814	91.0	1200	7.7	95.8	3.0	1560	39.5	0.62							
02	153	243	333	425	515	188	1028	80.1	500	7.7	95.8	2.9	1470	34.6	0.47			
						294	1008	86.1	700	7.7	95.8	2.9	1470	34.0	0.45			
						396	990	89.2	1000	7.7	95.8	3.0	1560	33.4	0.45			
		492	967	91.0	1200	7.7	95.8	3.0	1560	32.7	0.45							
		581	942	92.2	1200	7.7	95.8	3.0	1560	31.9	0.45							
03	208	328	448	567	687	249	1309	83.9	600	7.7	97.6	3.0	1560	26.9	0.27			
						381	1275	88.7	1000	7.7	97.6	3.0	1560	26.3	0.27			
						504	1238	91.1	1200	7.7	97.6	3.0	1560	25.5	0.27			
		617	1197	92.5	1200	7.7	97.6	3.1	1660	24.8	0.27							
		717	1150	93.4	1200	7.7	97.6	3.1	1660	23.9	0.28							
04	282	437	594	750		331	1690	87.0	1000	7.7	101	3.1	1660	20.9	0.15			
						496	1630	90.7	1200	7.7	101	3.1	1660	20.2	0.15			
		643	1560	92.5		1200	7.7	101	3.2	1760	19.4	0.16						
		769	1479	93.6		1200	7.7	101	3.2	1870	18.5	0.17						
05	332	514	696			394	1981	88.6	1000	7.7	101	3.1	1660	17.5	0.11			
						579	1886	91.7	1200	7.7	101	3.2	1760	16.7	0.11			
		736	1775			93.2	1200	7.7	101	3.3	1870	15.9	0.11					
06																		



技术参数

Z500-4A 适用于冷却方式 Applied to the cooling types of IC06, IC17, IC37, ICW 37A86

编号 series no.	额定电压 UN 下的转速 Rotating speed under the voltage below rated voltage UN					功率 Output PN kW	额定 电流 Rated current Ia A	效率 Effi- ciency $\eta$ %	最大 转速 Max. speed $n_{max}$ r/min	励磁 功率 Excita- tion power Pf kW	转动 惯量 Moment of inertial J $kg \cdot m^2$	通风 Ventilation		电枢回路 Armature cir- cuit	
	220V	330V	440V	550V	660V							风量 volume Q $m^3/s$	风压 pres- sure H Pa	电压降 voltage drop $\Delta U$ V	电感 induc- tance La mH
01	98	160	223	285	348	144	842	73.8	300	8.6	115.3	3.1	1660	46.7	0.89
	233					832	81.9	500	8.6	115.3	3.2	1760	46.2	0.83	
	319	820				86.1	650	8.6	115.3	3.2	1760	45.5	0.81		
	403	810	88.5			1000	8.6	115.3	3.2	1760	45.0	0.80			
	482	795	90.2			1200	8.6	115.3	3.2	1760	44.2	0.80			
02	119	192	264	338	410	179	999	77.9	350	8.6	115.3	3.1	1660	38.4	0.62
	283					982	84.7	600	8.6	115.3	3.1	1660	37.8	0.59	
	383	965				88.1	800	8.6	115.3	3.2	1760	37.2	0.58		
	477	944	90.2			1000	8.6	115.3	3.2	1760	36.4	0.58			
	566	922	91.6			1200	8.6	115.3	3.2	1760	35.6	0.59			
03	164	260	355	451	546	239	1275	82.3	500	8.6	117	3.2	1760	29.9	0.36
	368					1242	87.7	800	8.6	117	3.2	1760	29.1	0.34	
	490	1210				90.4	1200	8.6	117	3.2	1760	28.4	0.34		
	602	1173	91.9			1200	8.6	117	3.3	1870	27.6	0.35			
	703	1131	93.0			1200	8.6	117	3.3	1870	26.7	0.36			
04	223	347	472	598		319	1645	85.8	650	8.6	120.5	3.3	1870	23.1	0.2
	481					1590	90.0	1000	8.6	120.5	3.3	1870	22.4	0.2	
	627	1526				92.0	1200	8.6	120.5	3.3	1870	21.6	0.21		
	755	1455	93.2			1200	8.6	120.5	3.4	1970	20.7	0.21			
05	264	409	554			381	1931	87.7	800	8.6	120.5	3.3	1870	19.3	0.15
	565					1848	91.2	1200	8.6	120.5	3.4	1970	18.6	0.15	
	723	1747				92.9	1200	8.6	120.5	3.4	1970	17.7	0.15		
06															

技术参数

Z560-2A 适用于冷却方式 Applied to the cooling types of IC06, IC17, IC37, ICW 37A86

编号 series no.	额定电压 UN 下的转速 Rotating speed under the voltage below rated voltage UN					功率 Output PN kW	额定 电流 Rated current Ia A	效率 Effi- ciency $\eta$ %	最大 转速 Max. speed $n_{max}$ r/min	励磁 功率 Excita- tion power Pf kW	转动 惯量 Moment of inertial J $kg \cdot m^2$	通风 Ventilation		电枢回路 Armature cir- cuit	
	220V	330V	440V	550V	660V							风量 volume Q $m^3/s$	风压 pres- sure H Pa	电压降 voltage drop $\Delta U$ V	电感 induc- tance La mH
01	153	244	336	429	521	196	1094	78.8	500	7.8	126.1	3.3	1310	37.5	0.44
	309					1075	85.1	800	7.8	126.1	3.3	1310	36.9	0.42	
	418	1057				88.3	1000	7.8	126.1	3.4	1380	36.3	0.41		
	522	1037	90.2			1200	7.8	126.1	3.5	1450	35.7	0.41			
	619	1013	91.4			1200	7.8	126.1	3.6	1530	34.9	0.42			
02	189	300	410	520	630	245	1312	82.6	700	7.8	128.8	3.2	1240	29.7	0.30
	380					1290	87.6	1000	7.8	128.8	3.3	1310	29.2	0.29	
	507	1260				90.1	1200	7.8	128.8	3.4	1380	28.6	0.29		
	624	1224	91.6			1200	7.8	128.8	3.5	1450	27.8	0.29			
	732	1186	92.6			1200	7.8	128.8	3.6	1530	27.0	0.29			
03	251	393	536	678	820	320	1676	84.9	800	7.8	128.8	3.5	1450	25.2	0.17
	487					1630	89.2	1200	7.8	128.8	3.6	1530	24.5	0.17	
	641	1578				91.3	1200	7.8	128.8	3.8	1690	23.8	0.17		
	780	1519	92.5			1200	7.8	128.8	3.9	1770	23.0	0.18			
	900	1451	93.2			1200	7.8	128.8	4.0	1860	22.0	0.18			
04	307	477	646	816		393	2005	87.5	1000	7.8	134.3	3.5	1450	19.5	0.12
	586					1931	90.8	1200	7.8	134.3	3.6	1530	18.9	0.12	
	757	1843				92.4	1200	7.8	134.3	3.8	1690	18.1	0.12		
	900	1740	93.3			1200	7.8	134.3	4.0	1860	17.2	0.12			
05															
06															

技术参数

Z560-3A 适用于冷却方式 Applied to the cooling types of IC06, IC17, IC37, ICW 37A86

编号 series no.	额定电压 UN 下的转速 Rotating speed under the voltage below rated voltage UN r/min					功率 Output PN kW	额定 电流 Rated current I <sub>a</sub> A	效率 Effi- ciency η %	最大 转速 Max. speed n <sub>max</sub> r/min	励磁 功率 Excita- tion power P <sub>f</sub> kW	转动 惯量 of inertial J kg·m <sup>2</sup>	通风 Ventilation		电枢回路 Armature cir- cuit	
	220V	330V	440V	550V	660V							风量 volume Q m <sup>3</sup> /s	风压 pres- sure H	电压降 drop ΔU V	电感 induc- tance L <sub>a</sub> mH
01	121	195	270	345	419	191	1089	76.9	400	8.7	150.8	3.6	1530	41.6	0.56
						305	1075	83.8	700	8.7	150.8	3.6	1530	41.1	0.53
						414	1056	87.4	800	8.7	150.8	3.7	1610	40.4	0.51
						519	1038	89.5	1000	8.7	150.8	3.8	1690	39.7	0.51
						618	1016	90.9	1200	8.7	150.8	3.8	1690	39.0	0.52
02	151	240	329	418	508	241	1312	81.0	500	8.7	153.5	3.5	1450	33.0	0.37
						375	1284	86.6	800	8.7	153.5	3.6	1530	32.3	0.36
						503	1257	89.5	1000	8.7	153.5	3.7	1610	31.7	0.35
						622	1225	91.1	1200	8.7	153.5	3.7	1610	30.9	0.36
						733	1191	92.2	1200	8.7	153.5	3.8	1690	30.1	0.37
03	200	315	431	546	662	315	1670	83.7	700	8.7	153.5	3.8	1690	27.8	0.22
						483	1628	88.4	1000	8.7	153.5	3.9	1770	27.2	0.21
						639	1579	90.8	1200	8.7	153.5	4.0	1860	26.4	0.21
						781	1524	92.2	1200	8.7	153.5	4.1	1950	25.6	0.22
						907	1463	93.0	1200	8.7	153.5	4.2	2030	24.6	0.23
04	246	384	521	658		389	2000	86.6	800	8.7	159.0	3.7	1610	21.6	0.15
						584	1932	90.3	1200	8.7	159.0	3.9	1770	20.9	0.15
						758	1849	92.1	1200	8.7	159.0	4.0	1860	20.1	0.15
						908	1756	93.1	1200	8.7	159.0	4.1	1950	19.2	0.16
06															

技术参数

Z560-4A 适用于冷却方式 Applied to the cooling types of IC06, IC17, IC37, ICW 37A86

编号 series no.	额定电压 UN 下的转速 Rotating speed under the voltage below rated voltage UN r/min					功率 Output PN kW	额定 电流 Rated current I <sub>a</sub> A	效率 Effi- ciency η %	最大 转速 Max. speed n <sub>max</sub> r/min	励磁 功率 Excita- tion power P <sub>f</sub> kW	转动 惯量 of inertial J kg·m <sup>2</sup>	通风 Ventilation		电枢回路 Armature cir- cuit	
	220V	330V	440V	550V	660V							风量 volume Q m <sup>3</sup> /s	风压 pres- sure H Pa	电压降 drop ΔU V	电感 induc- tance L <sub>a</sub> mH
01	94	154	213	275	334	184	1079	74.2	300	9.7	183.4	3.9	1770	46.8	0.73
						297	1064	82.1	500	9.7	183.4	4.0	1860	46.2	0.67
						406	1047	86.1	600	9.7	183.4	4.0	1860	45.5	0.66
						511	1030	88.6	800	9.7	183.4	4.1	1950	44.8	0.65
						611	1011	90.2	1000	9.7	183.4	4.1	1950	44.0	0.65
02	119	190	262	334	406	233	1294	79.0	400	9.7	186.2	3.8	1690	36.9	0.48
						368	1276	85.3	700	9.7	186.2	3.9	1770	36.4	0.45
						495	1247	88.5	800	9.7	186.2	3.9	1770	35.7	0.45
						616	1220	90.4	1000	9.7	186.2	4.0	1860	34.9	0.45
						728	1188	91.7	1200	9.7	186.2	4.1	1950	34.1	0.46
03	158	250	343	436	529	308	1654	82.3	500	9.7	186.2	4.1	1950	30.5	0.28
						476	1615	87.6	800	9.7	186.2	4.1	1950	29.9	0.27
						633	1571	90.2	1000	9.7	186.2	4.2	2030	29.1	0.27
						777	1521	91.8	1200	9.7	186.2	4.3	2130	28.2	0.28
						907	1466	92.7	1200	9.7	186.2	4.4	2220	27.3	0.29
04	196	305	415	525		381	1981	85.4	600	9.7	191.6	4.0	1860	24.1	0.19
						577	1921	89.6	1000	9.7	191.6	4.1	1950	23.5	0.19
						753	1844	91.6	1200	9.7	191.6	4.2	2030	22.6	0.19
						908	1760	92.8	1200	9.7	191.6	4.3	2130	21.7	0.20
05															
06															



技术参数

Z630-2A 适用于冷却方式 Applied to the cooling types of IC06, IC17, IC37, ICW 37A86

编号 series no.	额定电压 UN 下的转速 Rotating speed under the voltage below rated voltage UN					功率 Output PN kW	额定 电流 Rated current I <sub>A</sub>	效率 Effi- ciency η %	最大 转速 Max. speed n <sub>max</sub> r/min	励磁 功率 Excita- tion pow- er Pf kW	转动 惯量 Mo- ment of inertial J kg·m <sup>2</sup>	通风 Ventilation	
	r/min											风量 volume Q m <sup>3</sup> /s	风压 pressure H Pa
	440V	550V	660V	750V									
01	330	425	515	590		564	1410	91.5	1000	12.4	276	3.8	1140
						697	1366	92.8	1200	12.4	276	3.9	1190
						821	1330	93.5	1200	12.4	276	4.1	1300
						915	1298	94.0	1200	12.4	276	4.2	1360
02	390	490	598	677		662	1633	92.2	1200	12.4	280	4.0	1240
						811	1581	93.2	1200	12.4	280	4.2	1360
						946	1527	93.9	1200	12.4	280	4.4	1480
						1045	1479	94.2	1200	12.4	280	4.5	1540
03	420	535	650	750		723	1769	92.9	1100	12.4	282	4.0	1240
						879	1705	93.8	1200	12.4	282	4.2	1360
						1019	1638	94.2	1200	12.4	282	4.4	1480
						1118	1578	94.5	1200	12.4	282	4.6	1610
04	530	665	810			839	2052	92.9	1200	12.4	285	4.5	1540
						1010	1960	93.7	1200	12.4	285	4.7	1670
						1157	1863	94.1	1200	12.4	285	5.0	1870

Z630-3A 适用于冷却方式 Applied to the cooling types of IC06, IC17, IC37, ICW 37A86

编号 series no.	额定电压 UN 下的转速 Rotating speed under the voltage below rated voltage UN					功率 Output PN kW	额定 电流 Rated current I <sub>A</sub>	效率 Effi- ciency η %	最大 转速 Max. speed n <sub>max</sub> r/min	励磁 功率 Excita- tion pow- er Pf kW	转动 惯量 Mo- ment of inertial J kg·m <sup>2</sup>	通风 Ventilation	
	r/min											风量 volume Q m <sup>3</sup> /s	风压 pressure H Pa
	440V	550V	660V	750V									
01	260	340	411	474		561	1403	90.9	800	13.8	310	4.1	1300
						697	1372	92.4	1000	13.8	310	4.2	1360
						825	1340	93.3	1000	13.8	310	4.3	1420
						922	1311	93.8	1000	13.8	310	4.4	1480
02	310	395	481	545		660	1636	91.7	900	13.8	318	4.3	1420
						813	1590	93.0	1000	13.8	318	4.4	1480
						954	1542	93.7	1000	13.8	318	4.6	1610
						1058	1498	94.2	1000	13.8	318	4.7	1670
03	340	431	521	595		723	1776	92.5	1000	13.8	320	4.3	1420
						884	1717	93.6	1000	13.8	320	4.4	1480
						1030	1657	94.2	1000	13.8	320	4.6	1610
						1135	1601	94.5	1000	13.8	320	4.7	1670
04	425	535	650			840	2061	92.6	1000	13.8	325	4.8	1730
						1019	1979	93.6	1000	13.8	325	4.9	1800
						1177	1894	94.2	1000	13.8	325	5.1	1940

技术参数

Z630-4A 适用于冷却方式 Applied to the cooling types of IC06, IC17, IC37, ICW 37A86

编号 series no.	额定电压 UN 下的转速 Rotating speed under the voltage below rated voltage UN					功率 Output PN kW	额定 电流 Rated current I <sub>A</sub>	效率 Effi- ciency η %	最大 转速 Max. speed n <sub>max</sub> r/min	励磁 功率 Excita- tion pow- er Pf kW	转动 惯量 Mo- ment of inertial J kg·m <sup>2</sup>	通风 Ventilation	
	r/min											风量 volume Q m <sup>3</sup> /s	风压 pressure H Pa
	440V	550V	660V	750V									
01	211	260	325	765		555	1400	90.0	600	15.8	365	4.5	1540
						692	1371	91.8	800	15.8	365	4.6	1610
						822	1341	92.8	800	15.8	365	4.6	1610
						923	1317	93.5	800	15.8	365	4.7	1670
02	247	310	381	435		654	1633	91.0	800	15.8	370	4.7	1670
						810	1592	92.5	800	15.8	370	4.8	1730
						955	1549	93.4	800	15.8	370	4.9	1800
						1064	1510	94.0	800	15.8	370	4.9	1800
03	270	345	415	475		717	1771	92.0	800	15.8	370	4.6	1610
						882	1720	93.2	800	15.8	370	4.7	1670
						1033	1665	94.0	800	15.8	370	4.8	1730
						1150	1624	94.4	900	15.8	370	4.9	1800
04	335	425	515			826	2061	92.2	800	15.8	380	5.1	1940
						1021	1989	93.3	800	15.8	380	5.2	2020
						1188	1914	94.0	800	15.8	380	5.3	2090

水—空冷却器 water-air(ICW37A86)

技术数据 Technical data

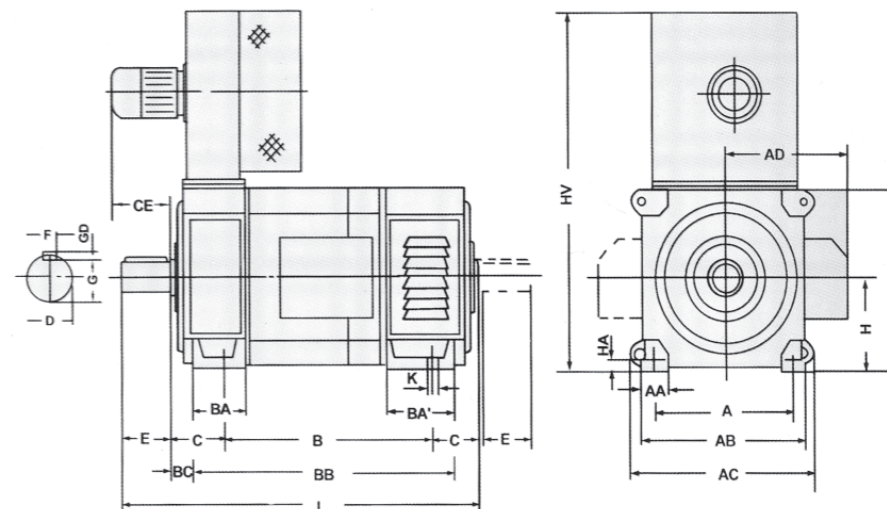
电机重量 D.C Motor Weight

冷却器型号 Cooler type	重量 (千克) Weight(kg)	风机电机功率 Fan motor(kw)
LAM-Z315-1	470	2.2
LAM-Z315-2	473	
LAM-Z315-3	480	
LAM-Z315-4	491	
LAM-Z355-2	640	5.5
LAM-Z355-3	650	
LAM-Z355-4	660	
LAM-Z355-5	675	
LAM-Z400-1	704	
LAM-Z400-2	715	
LAM-Z400-3	726	
LAM-Z400-4	739	
LAM-Z450-1	808	7.5
LAM-Z450-2	820	
LAM-Z450-3	834	
LAM-Z450-4	850	
LAM-Z500-1	900	7.5
LAM-Z500-2	910	
LAM-Z500-3	930	
LAM-Z500-4	950	
LAM-Z560-2	1030	15.0
LAM-Z560-3	1050	
LAM-Z560-4	1070	
LAM-Z560-5	1100	

电机型号 Motor type	重量 (千克) Weight(kg)
Z315-1	1350
Z315-2	1500
Z315-3	1700
Z315-4	1950
Z355-2	1950
Z355-3	2200
Z355-4	2500
Z355-5	2850
Z400-1	2450
Z400-2	2700
Z400-3	3250
Z400-4	3700
Z450-1	3700
Z450-2	4100
Z450-3	4600
Z450-4	5200
Z500-1	4800
Z500-2	5300
Z500-3	6000
Z500-4	6800
Z560-2	6600
Z560-3	7100
Z560-4	7800
Z560-5	8700

外形图和安装尺寸表 Outline drawing and dimensions

1、带鼓风机 With blower(IC06)



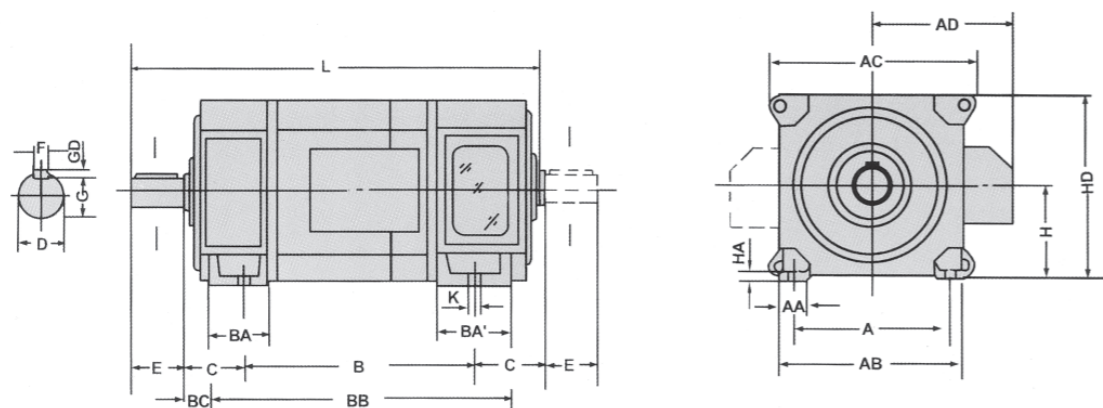
型号 Type	主要尺寸 Main dimensions					底脚尺寸 Foot dimensions								轴伸尺寸 Shaft extension dimension					鼓风机及 出线盒尺寸 Dimensions of blower and terminal box				
	H*	L	C	AC	HD	A	B	K	HA	AB	BB	AA	BA	BA'	BC	D*	E	F*	G	GD*	CE	HV	AD
Z315-1	315	1372	216	720	635	508	770	28	25	620	985	115	230	280	124	90	170	25	81	14	330	1400	490
Z315-2	315	1452	216	720	635	508	850	28	25	620	1065	115	230	280	124	90	170	25	81	14	330	1400	490
Z315-3	315	1532	216	720	635	508	930	28	25	620	1145	115	230	280	124	90	170	25	81	14	330	1400	490
Z315-4	315	1632	216	720	635	508	1030	28	25	620	1245	115	230	280	124	90	170	25	81	14	330	1400	490
Z355-2	355	1515	254	800	720	610	800	28	35	700	1110	120	280	320	124	110	210	28	100	16	240	1535	630
Z355-3	355	1615	254	800	720	610	900	28	35	700	1210	120	280	320	124	110	210	28	100	16	240	1535	630
Z355-4	355	1715	254	800	720	610	1000	28	35	700	1310	120	280	320	124	110	210	28	100	16	240	1535	630
Z355-5	355	1835	254	800	720	610	1120	28	35	700	1430	120	280	320	124	110	210	28	100	16	240	1535	630
Z400-1	400	1560	280	906	810	686	800	35	30	790	1180	115	280	380	95	120	210	32	109	18	230	1705	670
Z400-2	400	1660	280	906	810	686	900	35	30	790	1280	115	280	380	95	120	210	32	109	18	230	1705	670
Z400-3	400	1760	280	906	810	686	1000	35	30	790	1380	115	280	380	95	120	210	32	109	18	230	1705	670
Z400-4	400	1880	280	906	810	686	1120	35	30	790	1500	115	280	380	95	120	210	32	109	18	230	1705	670
Z450-1	450	1775	315	1000	910	800	900	35	40	890	1334	120	340	360	93	140	250	36	128	20	260	1805	725
Z450-2	450	1875	315	1000	910	800	1000	35	40	890	1434	120	340	360	93	140	250	36	128	20	260	1805	725
Z450-3	450	1995	315	1000	910	800	1120	35	40	890	1554	120	340	360	93	140	250	36	128	20	260	1805	725
Z450-4	450	2125	315	1000	910	800	1250	35	40	890	1684	120	340	360	93	140	250	36	128	20	260	1805	725
Z500-1	500	1860	280	1070	1010	900	1000	42	45	1090	1345	180	320	350	105	160	300	40	147	22	290	1905	815
Z500-2	500	1980	280	1070	1010	900	1120	42	45	1090	1465	180	320	350	105	160	300	40	147	22	290	1905	815
Z500-3	500	2110	280	1070	1010	900	1250	42	45	1090	1595	180	320	350	105	160	300	40	147	22	290	1905	815
Z500-4	500	2260	280	1070	1010	900	1400	42	45	1090	1745	180	320	350	105	160	300	40	147	22	290	1905	815
Z560-2	560	2040	315	1180	1120	1000	1120	48	50	1200	1505	200	300	350	130	180	300	45	165	25	260	2040	870
Z560-3	560	2170	315	1180	1120	1000	1250	48	50	1200	1635	200	300	350	130	180	300	45	165	25	260	2040	870
Z560-4	560	2320	315	1180	1120	1000	1400	48	50	1200	1785	200	300	350	130	180	300	45	165	25	260	2040	870
Z560-5	560	2520	315	1180	1120	1000	1600	48	50	1200	1985	200	300	350	130	180	300	45	165	25	260	2040	870

LAW 系列水—空冷却器是为 Z 系列直流电动机配套的专用冷却器，由江苏东元电机电控有限公司成套供货。  
LAW Series Water-air Cooler is used for Z Series DC machine. This special cooler is to besupplied by Jiangsu Dongyuan Electrical Machines Control Co., LTD. to make a complete equipment



外形图和安装尺寸表 Outline drawing and dimensions

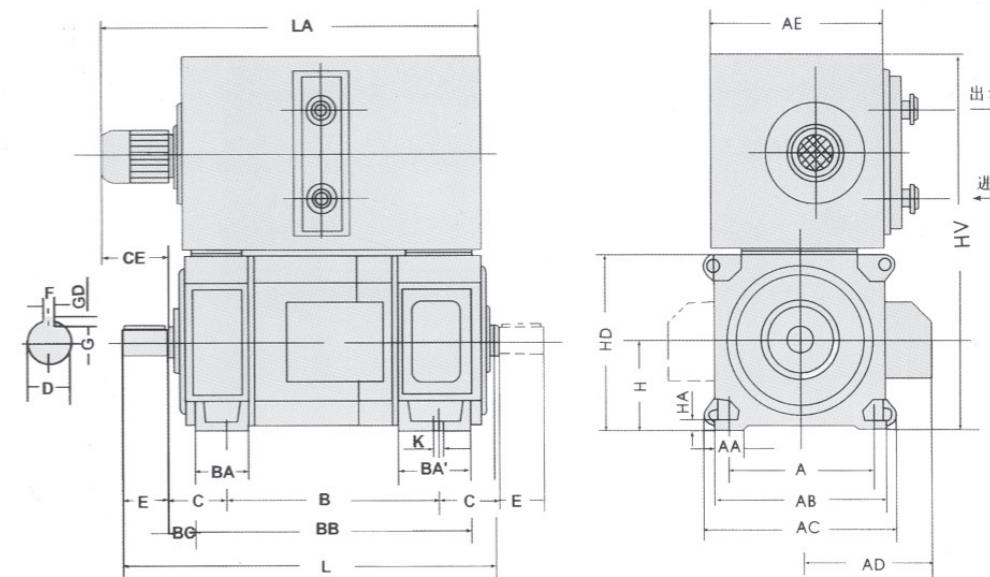
- 1、管道通风 Duct ventilation at both ends(IC37)
- 2、半管道通风 Duct ventilation at one ends(IC17)



型号 Type	主要尺寸 Main dimensions					底脚尺寸 Foot dimensions										轴伸尺寸 Shaft extension dimension					出线盒尺寸 Terminal box dimensions
	H*	L	C	AC	HD	A	B	K	HA	AB	BB	AA	BA	BA'	BC	D*	E	F*	G	GD*	AD
Z315-1	315	1372	216	720	635	508	770	28	25	620	985	115	230	280	124	90	170	25	81	14	490
Z315-2	315	1452	216	720	635	508	850	28	25	620	1065	115	230	280	124	90	170	25	81	14	490
Z315-3	315	1532	216	720	635	508	930	28	25	620	1145	115	230	280	124	90	170	25	81	14	490
Z315-4	315	1632	216	720	635	508	1030	28	25	620	1245	115	230	280	124	90	170	25	81	14	490
Z355-2	355	1515	254	800	720	610	800	28	35	700	1110	120	280	320	124	110	210	28	100	16	630
Z355-3	355	1615	254	800	720	610	900	28	35	700	1210	120	280	320	124	110	210	28	100	16	630
Z355-4	355	1715	254	800	720	610	1000	28	35	700	1310	120	280	320	124	110	210	28	100	16	630
Z355-5	355	1835	254	800	720	610	1120	28	35	700	1430	120	280	320	124	110	210	28	100	16	630
Z400-1	400	1560	280	906	810	686	800	35	30	790	1180	115	280	380	95	120	210	32	109	18	670
Z400-2	400	1660	280	906	810	686	900	35	30	790	1280	115	280	380	95	120	210	32	109	18	670
Z400-3	400	1760	280	906	810	686	1000	35	30	790	1380	115	280	380	95	120	210	32	109	18	670
Z400-4	400	1880	280	906	810	686	1120	35	30	790	1500	115	280	380	95	120	210	32	109	18	670
Z450-1	450	1775	315	1000	910	800	900	35	40	890	1334	120	340	360	93	140	250	36	128	20	725
Z450-2	450	1875	315	1000	910	800	1000	35	40	890	1434	120	340	360	93	140	250	36	128	20	725
Z450-3	450	1995	315	1000	910	800	1120	35	40	890	1554	120	340	360	93	140	250	36	128	20	725
Z450-4	450	2125	315	1000	910	800	1150	35	40	890	1684	120	340	360	93	140	250	36	128	20	725
Z500-1	500	1860	280	1070	1010	900	1000	42	45	1090	1345	180	320	350	105	160	300	40	147	22	815
Z500-2	500	1980	280	1070	1010	900	1120	42	45	1090	1465	180	320	350	105	160	300	40	147	22	815
Z500-3	500	2110	280	1070	1010	900	1250	42	45	1090	1595	180	320	350	105	160	300	40	147	22	815
Z500-4	500	2260	280	1070	1010	900	1400	42	45	1090	1745	180	320	350	105	160	300	40	147	22	815
Z560-2	560	2040	315	1180	1120	1000	1120	48	50	1200	1505	200	300	350	130	180	300	45	165	25	870
Z560-3	560	2170	315	1180	1120	1000	1250	48	50	1200	1635	200	300	350	130	180	300	45	165	25	870
Z560-4	560	2320	315	1180	1120	1000	1400	48	50	1200	1785	200	300	350	130	180	300	45	165	25	870
Z560-5	560	2520	315	1180	1120	1000	1600	48	50	1200	1985	200	300	350	130	180	300	45	165	25	870

外形图和安装尺寸表 Outline drawing and dimensions

- 3、带背包式水-空冷却器 with top mounted cooler (ICW37A86);



型号 Type	主要尺寸 Main dimensions					底脚尺寸 Foot dimensions										轴伸尺寸 Shaft extension dimension					出线盒尺寸 Terminal box dim	冷却器尺寸 Cooler dimensions			
	H*	L	C	AC	HD	LA	A	B	K	HA	AB	BB	AA	BA	BA'	BC	D*	E	F*	G	GD*	AD	CE	HV	AE
Z315-1	315	1372	216	720	635	1427	508	770	28	25	620	985	115	230	280	124	90	170	25	81	14	490	280	1405	620
Z315-2	315	1452	216	720	635	1507	508	850	28	25	620	1065	115	230	280	124	90	170	25	81	14	490	280	1405	620
Z315-3	315	1532	216	720	635	1587	508	930	28	25	620	1145	115	230	280	124	90	170	25	81	14	490	280	1405	620
Z315-4	315	1632	216	720	635	1687	508	1030	28	25	620	1245	115	230	280	124	90	170	25	81	14	490	280	1405	620
Z355-2	355	1515	254	800	720	1647	610	800	28	35	700	1110	120	280	320	124	110	210	28	100	16	630	400	1670	700
Z355-3	355	1615	254	800	720	1747	610	900	28	35	700	1210	120	280	320	124	110	210	28	100	16	630	400	1670	700
Z355-4	355	1715	254	800	720	1847	610	1000	28	35	700	1310	120	280	320	124	110	210	28	100	16	630	400	1670	700
Z355-5	355	1835	254	800	720	1967	610	1120	28	35	700	1430	120	280	320	124	110	210	28	100	16	630	400	1670	700
Z400-1	400	1560	280	906	810	1722	686	800	35	30	790	1180	115	280	380	95	120	210	32	109	18	670	390	1820	790
Z400-2	400	1660	280	906	810	1822	686	900	35	30	790	1280	115	280	380	95	120	210	32	109	18	670	390	1820	790
Z400-3	400	1760	280	906	810	1922	686	1000	35	30	790	1380	115	280	380	95	120	210	32	109	18	670	390	1820	790
Z400-4	400	1880	280	906	810	2042	686	1120	35	30	790	1500	115	280	380	95	120	210	32	109	18	670	390	1820	790
Z450-1	450	1775	315	1000	910	1887	800	900	35	40	890	1334	120	340	360	93	140	250	36	128	20	725	380	1940	890
Z450-2	450	1875	315	1000	910	1987	800	1000	35	40	890	1434	120	340	360	93	140	250	36	128	20	725	380	1940	890
Z450-3	450	1995	315	1000	910	2107	800	1120	35	40	890	1554	120	340	360	93	140	250	36	128	20	725	380	1940	890
Z450-4	450	2125	315	1000	910	2237	800	1250	35	40	890	1684	120	340	360	93	140	250	36	128	20	725	380	1940	890
Z500-1	500	1860	280	1070	1010	1927	900	1000	42	45	1090	1345	180	320	350	105	160	300	40	147	22	815	390	2040	1090
Z500-2	500	1980	280	1070	1010	2055	900	1120	42	45	1090	1465	180	320	350	105	160	300	40	147	22	815	390	2040	1090
Z500-3	500	2110	280	1070	1010	2177	900	1250	42	45	1090	1595	180	320	350	105	160	300	40	147	22	815	390	2040	1090
Z500-4	500	2260	280	1070	1010	2327	900	1400	42	45	1090	1745	180	320	350	105	160	300	40	147	22	815	390	2040	1090
Z560-2	560	2040	315	1180	1120	2154	1000	1120	48	50	1200	1505	200	300	350	130	180	300	45	165	25	870	450	2190	1195
Z560-3	560	2170	315	1180	1120	2284	1000	1250	48	50	1200	1635	200	300	350	130	180	300	45	165	25	870	450	2190	1195
Z560-4	560	2320	315	1180	1120	2434	1000	1400	48	50	1200	1785	200	300	350	130	180	300	45	165	25	870	450	2190	1195
Z560-5	560	2520	315	1180	1120	2634	1000	1600	48	50	1200	1985	200	300	350	130	180	300	45	165	25	870	450	2190	1195

代号 Code name	公差 Tolerance
H	0 -0.8
D	m6
F	h9
GD	h11

### 附件和备件

#### 1、附件

本系列电动机可以附带由测速发电机（ZYS 或 ZCF 型）、离心开关和光电脉冲传感器（SZGB 型）等组成的测速保护系统。用户根据需要，订货时在合同上注明。本电动机也可配装由用户提供的其他型号和种类的测速保护装置，但须在订货时协商，并由用户事先提供所配的测速保护装置的外形尺寸图。

本系列电动机定子绕组可以安放测温或限温保护元件，并把端线接到电机出线盒中，用户可根据需要在订货时协商并注明。

本系列电动机可根据用户需要在电机内部装置加热器，也须在订货合同中注明。

#### 2、备件

根据用户在订货时的要求，并在合同中注明，每台电机可供如下备件：

电刷一份；刷盒一刷杆份。

### Auxiliaries and spare parts

#### 1. Auxiliaries

As auxiliaries of DC motors, tacho protection system consisting of tacho-generator (ZYS or ZCF type), centrifugal switch and photoelectric pulse transducer (SZGB type) can be provided upon customers requirement notified on contracts. Other type tacho protection system provided by customers can also be considered to match DC motors. However, the outline drawing of such system should be delivered to manufacturer in advance.

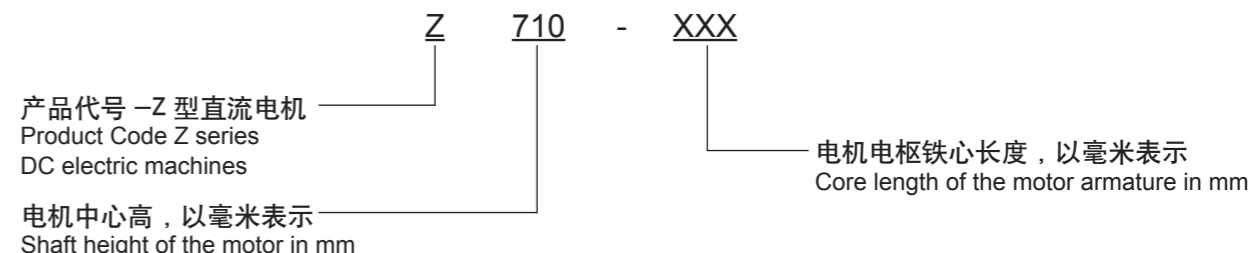
Thermal detectors can be embedded in the stator winding, the terminals of which are connected into terminal box. Customers should notify and discuss with manufacturer when placing orders. Heaters installed in motors can be provided upon customers requirements notified On contracts.

#### 2. Spare parts

According to customers requirements specified in contracts, following spare parts can be provided for each unit: : brushes for one motor; brush boxes for one brush holder.

## Z710 型直流电动机 Z710-TYPE DC MOTOR

### 型号说明 Type Symbol Description



### 技术数据 (A 类)

Z710-320 适用于冷却方式 Applied to the cooling types of IC17, IC37, ICW 37A86

编号 series no.	额定电压下的转速 Rotating speed at UN r/min			功率 Output PN KW	额定 电流 Rated current Ia A	效率 Effi-cien- cy η %	最大 转速 Max. speed n <sub>max</sub> r/min	励磁 功率 Excita- tion power P <sub>f</sub> kw	转动 惯量 Mo- ment of inertial J kg·m <sup>2</sup>	通风 Ventilation	
	440V	6	6							0	V
1	480			800	1963	92.6	1100	8.5	289	4.0	0.85
2	560			1000	2437	93.3	1100	10	296	4.6	1.08
3		530		1000	1621	93.4	1100	10	289	4.4	1.0
4		745		1250	2021	93.7	1200	8.4	289	5.1	1.3
5			645	1250	1775	93.9	1100	9.8	296	5.0	1.26
6		860		1500	2423	93.8	1100	8.7	296	6.0	1.75
7			845	1500	2129	93.9	1200	8.2	289	5.9	1.7

Z710-400 适用于冷却方式 Applied to the cooling types of IC17, IC37, ICW 37A86

编号 series no.	额定电压下的转速 Rotating speed at UN r/min			功率 Output PN KW	额定 电流 Rated current Ia A	效率 Effi-cien- cy η %	最大 转速 Max. speed n <sub>max</sub> r/min	励磁 功率 Excita- tion power P <sub>f</sub> kw	转动 惯量 Mo- ment of inertial J kg·m <sup>2</sup>	通风 Ventilation	
	440V	6	6							0	V
1	380			800	1967	92.4	1000	9.3	337	4.2	0.93
2	445			1000	2440	93.2	1000	10.9	344	4.7	1.13
3		422		1000	1624	93.3	1000	10.6	337	4.6	1.08
4		590		1250	2019	93.8	1100	8.7	337	5.1	1.3
5			515	1250	1774	93.9	1000	10.5	344	5.1	1.3
6		690		1500	2418	94.0	1000	9.13	344	5.9	1.7
7			680	1500	2125	94.1	1100	8.5	337	5.7	1.6



技术数据 (A 类)

Z710-500 适用于冷却方式 Applied to the cooling types of IC17, IC37, ICW 37A86

编号 series no.	额定电压下的转速 Rotating speed at UN r/min			功率 Output PN KW	额定 电流 Rated current I <sub>a</sub> A	效率 Effi-cien- cy η %	最大 转速 Max. speed n <sub>max</sub> r/min	励磁 功率 Excitation pow- er pf kW	转动 惯量 Mo- ment of inertial J kg·m <sup>2</sup>	通风 Ventilation	
	440V 6 6 0 V									风量 volume Q m <sup>3</sup> /s	风压 pressure H Pa
	305										
1	305			800	1975	92.1	800	10.4	397	4.4	1.0
2	360			1000	2446	92.9	800	11	404	4.8	1.17
3		337		1000	1625	93.2	800	11.6	397	4.7	1.13
4		470		1250	2021	93.7	1000	10.1	397	5.2	1.35
5			410	1250	1777	93.8	800	11.4	404	5.2	1.35
6		550		1500	2419	94.0	800	10.6	404	6.0	1.75
7			530	1500	2125	94.1	1000	10.9	397	5.8	1.65

Z710-630 适用于冷却方式 Applied to the cooling types of IC17, IC37, ICW 37A86

编号 series no.	额定电压下的转速 Rotating speed at UN r/min			功率 Output PN KW	额定 电流 Rated current I <sub>a</sub> A	效率 Effi-cien- cy η %	最大 转速 Max. speed n <sub>max</sub> r/min	励磁 功率 Excitation pow- er pf kW	转动 惯量 Mo- ment of inertial J kg·m <sup>2</sup>	通风 Ventilation	
	440V 6 6 0 V									风量 volume Q m <sup>3</sup> /s	风压 pressure H Pa
	240										
1	240			800	1988	91.4	700	11.9	475	4.8	1.17
2	280			1000	2458	92.5	700	13.3	482	5.3	1.4
3		268		1000	1633	92.8	700	12.7	475	5.0	1.26
4		370		1250	2027	93.4	800	11.8	475	5.5	1.49
5			325	1250	1783	93.5	700	12.7	482	5.5	1.49
6		435		1500	2425	93.7	700	12.1	482	6.3	1.92
7			430	1500	2129	93.9	800	11.1	475	6.0	1.75

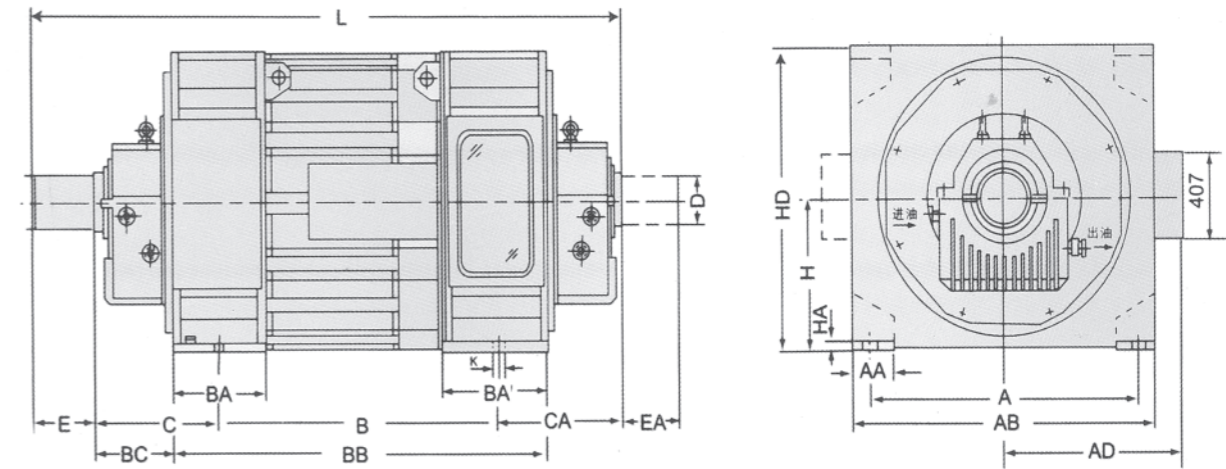
Z710-800 适用于冷却方式 Applied to the cooling types of IC17, IC37, ICW 37A86

编号 series no.	额定电压下的转速 Rotating speed at UN r/min			功率 Output PN KW	额定 电流 Rated current I <sub>a</sub> A	效率 Effi-cien- cy η %	最大 转速 Max. speed n <sub>max</sub> r/min	励磁 功率 Excitation pow- er pf kW	转动 惯量 Mo- ment of inertial J kg·m <sup>2</sup>	通风 Ventilation	
	440V 6 6 0 V									风量 volume Q m <sup>3</sup> /s	风压 pressure H Pa
	185										
1	185			800	2008	90.5	550	14.5	576	5.5	1.49
2	220			1000	2477	91.7	550	14.2	583	5.8	1.65
3		210		1000	1645	92.1	550	13.7	576	5.5	1.49
4		290		1250	2038	93.0	700	13.6	576	6.1	1.81
5			255	1250	1793	92.9	550	13.8	583	6.0	1.75
6		345		1500	2436	93.3	550	13.4	583	6.8	2.21
7			325	1500	2138	93.5	700	13.6	576	6.5	2.03

外型图和安装尺寸表 Out drawing & dimensions

管道通风 Duct ventilation at both ends(IC37)

半管道通风 Duct ventilation at one ends(IC17)



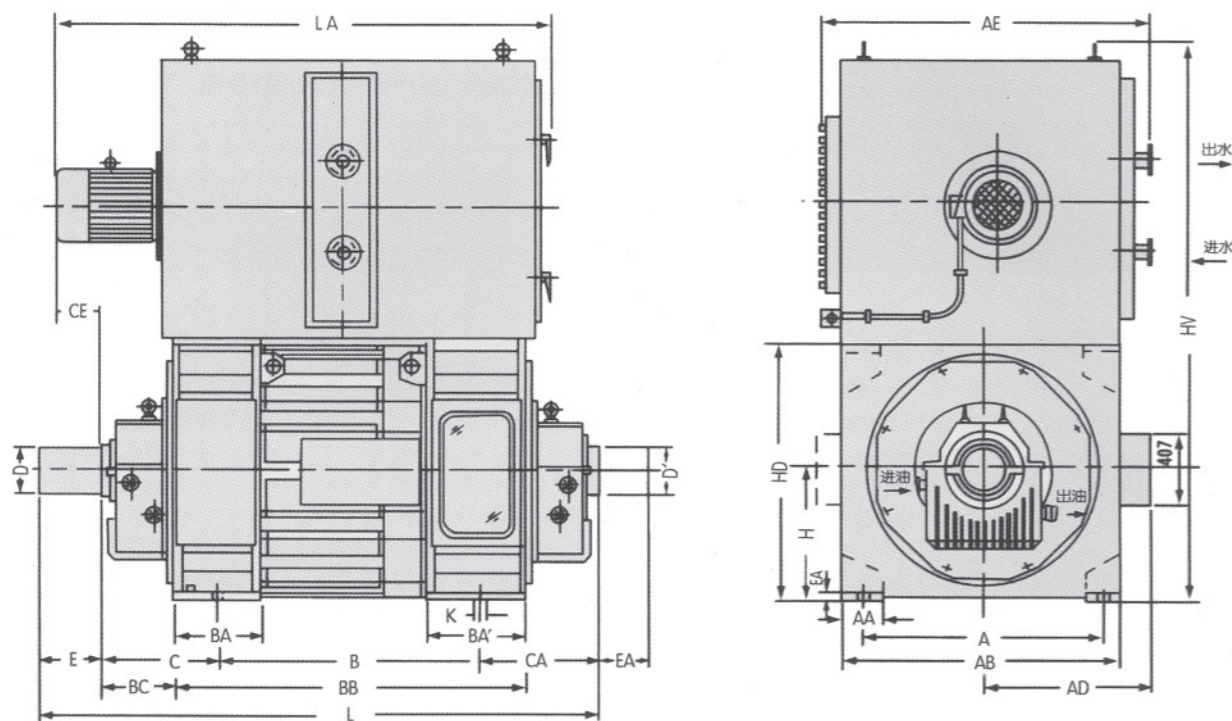
型号 Type	主要尺寸 Main dimensions				底脚尺寸 Foot dimensions								轴伸尺寸 Shaft extension dimension				出线盒 尺寸 terminal box dim			
	H	L	C	HD	A	B	K	HA	AB	BB	AA	BA	BA'	CA	BC	D		E	D'	EA
Z710-320	710	2670	600	1415	1400	1120	56	40	1540	1610	200	475	535	670	390	220	280	200	280	1028
Z710-400	710	2750	600	1415	1400	1250	56	40	1540	1690	200	475	535	620	390	220	280	200	280	1028
Z710-500	710	2850	600	1415	1400	1250	56	40	1540	1790	200	475	535	720	390	220	280	200	280	1028
Z710-630	710	3030	600	1415	1400	1400	56	40	1540	1920	200	475	535	700	390	250	330	220	280	1028
Z710-800	710	3200	600	1415	1400	1600	56	40	1540	2090	200	475	535	670	390	250	330	220	280	1028

带背包式水-空冷却器 With top mounted cooler(ICW37A86)

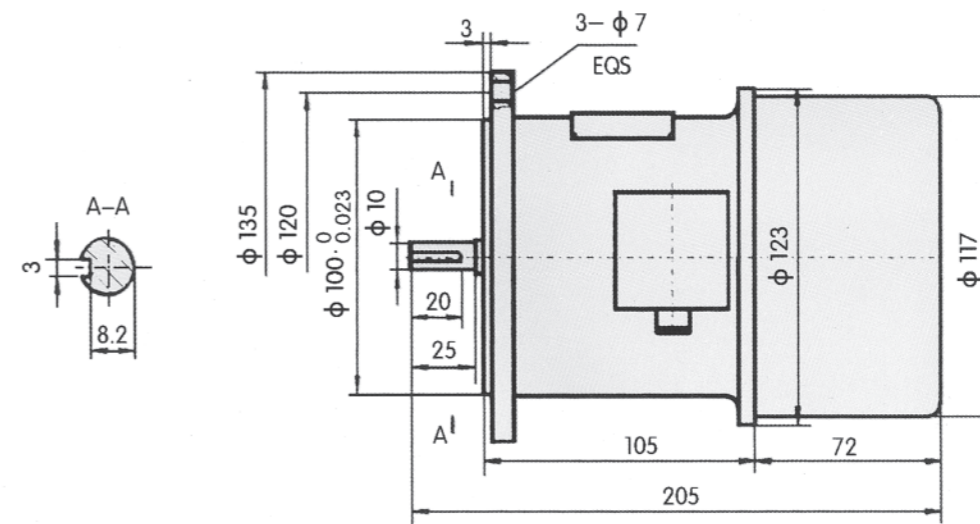
ZYS 系列直流永磁式测速发电机

外型图和安装尺寸表 Out drawing & dimensions

电机型号 Motor Type	额定功率 Rated Work Power(w)	额定电压 Rated Voltage(v)	额定电 流 Rated	最大线性 工作转速 Max(r/min)	纹波系数 Ku%	线性误差 +δ × %	输出电压 不对称度 Kb%	输出斜率 V/ Kr/min
ZYS-1A	4.4	55	80	0~2000	1.5	1.5	1.5	
ZYS-3A	22	110	200	0~2000	1.5	1.5	1.5	
ZYS-6A	22	110	200	0~3000	1.5	1.5	1.5	
ZYS-100A	8	100	80	0~1000	1.5	1.5	1.5	
ZYS-120B	10.8		90	2500	1	1	1	120
ZYS-20B	3.6		180	5000	1	1	1	20
ZYS-60B	12		200	5000	1	1	1	60



型号 Type	主要尺寸 Main dimensions				底脚尺寸 Foot dimensions								轴伸尺寸 Shaft extension dimension				出线盒 尺寸 terminal box dim	冷却器尺寸 Cooler dimensions						
	H	L	C	HD	A	B	K	HA	AB	BB	AA	BA	BA'	CA	BC	D		E	D'	EA	AD	CE	LA	AE
Z710-320	710	2670	600	1415	1400	1120	56	40	1540	1610	200	475	535	670	390	220	280	200	280	1028	246	2390	1830	3044
Z710-400	710	2750	600	1415	1400	1250	56	40	1540	1690	200	475	535	620	390	220	280	200	280	1028	246	2470	1830	3044
Z710-500	710	2850	600	1415	1400	1250	56	40	1540	1790	200	475	535	720	390	220	280	200	280	1028	246	2500	1830	3044
Z710-630	710	3030	600	1415	1400	1400	56	40	1540	1920	200	475	535	700	390	250	330	220	280	1028	246	2630	1830	3044
Z710-800	710	3200	600	1415	1400	1600	56	40	1540	2090	200	475	535	670	390	250	330	220	280	1028	246	2800	1830	3044



ZYS 电机外形尺寸安装图